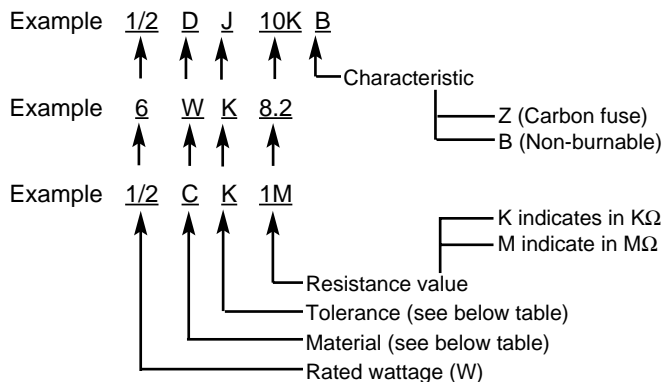


PARTS DESCRIPTION AND READING IN SCHEMATIC DIAGRAM

1. The parts specification of resistors, capacitors and coils are expressed in designated code. Please check the parts description by the following code table.
2. Some of transistors and diodes are indicated in mark for the substitution of parts name. Please check the parts name by the following code table.
3. Voltages and waveforms were taken with a video color bar signal(1Vp-p at 75 ohms terminated) and controls to normal.
4. Voltages were taken with a high-impedance digital voltmeter.

Resistor Reading



Note: Resistor which is indicated with resistance value only are 1/6W carbon resistor. Resistor which is indicated with material, tolerance and value are 1/4W rated wattage.

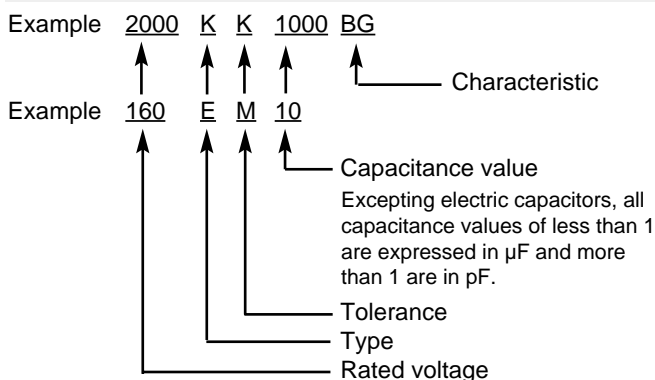
● Material table

Mark	Material
D	Carbon
N	Metal film
S	Oxide metal film
C	Solid
G	Metal glaze
W	Wire winding or cement
H	Ceramic
F	Fusible

● Tolerance table

Mark	Tolerance
A	±0.05
B	±0.1
C	±0.25
D	±0.5
F	±1
G	±2
J	±5
K	±10
M	±20
P	+5 -15
Z	used in 0 ohm

Capacitor Reading



● Material table

Mark	Material
E	Electrolytic
P	Electrolytic (non-polarized)
C	Ceramic (temperature compensation)
K	Ceramic
F	Polyester
N	Polypropylene
M	Metalized polypropylene
H	Metalized polypropylar
B	Ceramic (semiconductor)
G	Metalized polyester
Y	Composite film
S	Styrol
T	Tantalum oxide solid electrolytic
U	Organic semiconductive electrolyte
D	Electric double layer electrolytic

● Tolerance table

Mark	Tolerance
A	not specified
B	±0.1
C	±0.25
D	±0.5
F	±1
G	±2
E	±2.5
H	±3
J	±5
K	±10
M	±20
N	±30
P	+100 -0
Q	+30 -10
T	+50 -10
U	+75 -10
V	+20 -10
W	+100 -10
X	+40 -20
Y	+150 -10
Z	+80 -20

Diode/Transistor Type Reading

● Diode

Mark	Type number
R	1S2076A,1S2473,1N4148
AA	1S2076A,1S2473,1SS133,1N4148

● Transistor

(1) NPN type

Mark	Type number			
--	2SC536	2SC945A	2SC1815	2SC1740S
AD	NF, NG	PA, QA, RA	Y, GR	Q, R, S
AE	NF, NG	PA, QA	O, Y, GR	Q, R, S

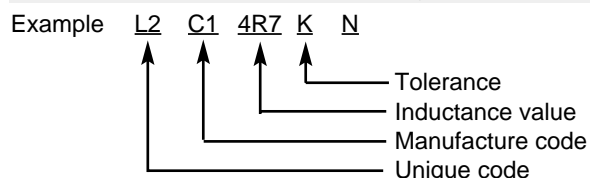
(2) PNP type

Mark	Type number			
--	2SA608	2SA564A	2SA1015	2SA933S
AB	NF	R	Y, GR	R
AC	NF	Q, R	O, Y, GR	Q, R

(3) Chip type

Mark	Type number				
--	2SA1179	2SA1037K	2SA1037AK	2SC2812	2SC2412K
AJ	M6, M7	R, S	R, S		
AH				L6, L7	R, S

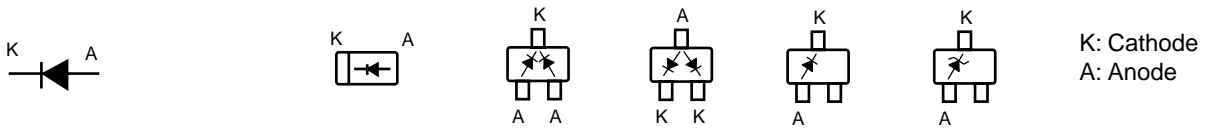
Coil Reading



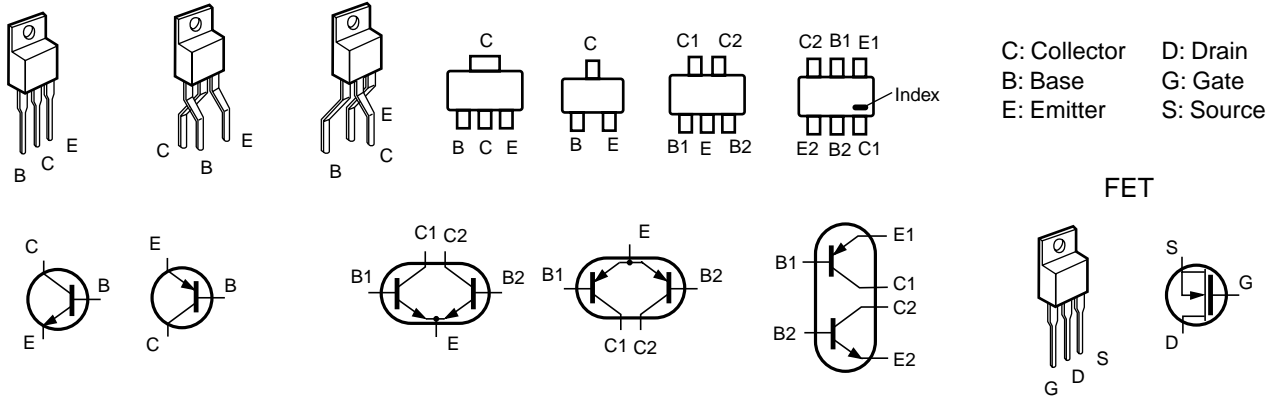
Mark	Tolerance (nH)	Mark	Tolerance (%)
C	±0.25	G	±2
D	±0.5	J	±5
S	±0.3	K	±10
A	±0.2	L	±15
		M	±20

PIN DESCRIPTION OF SEMICONDUCTORS

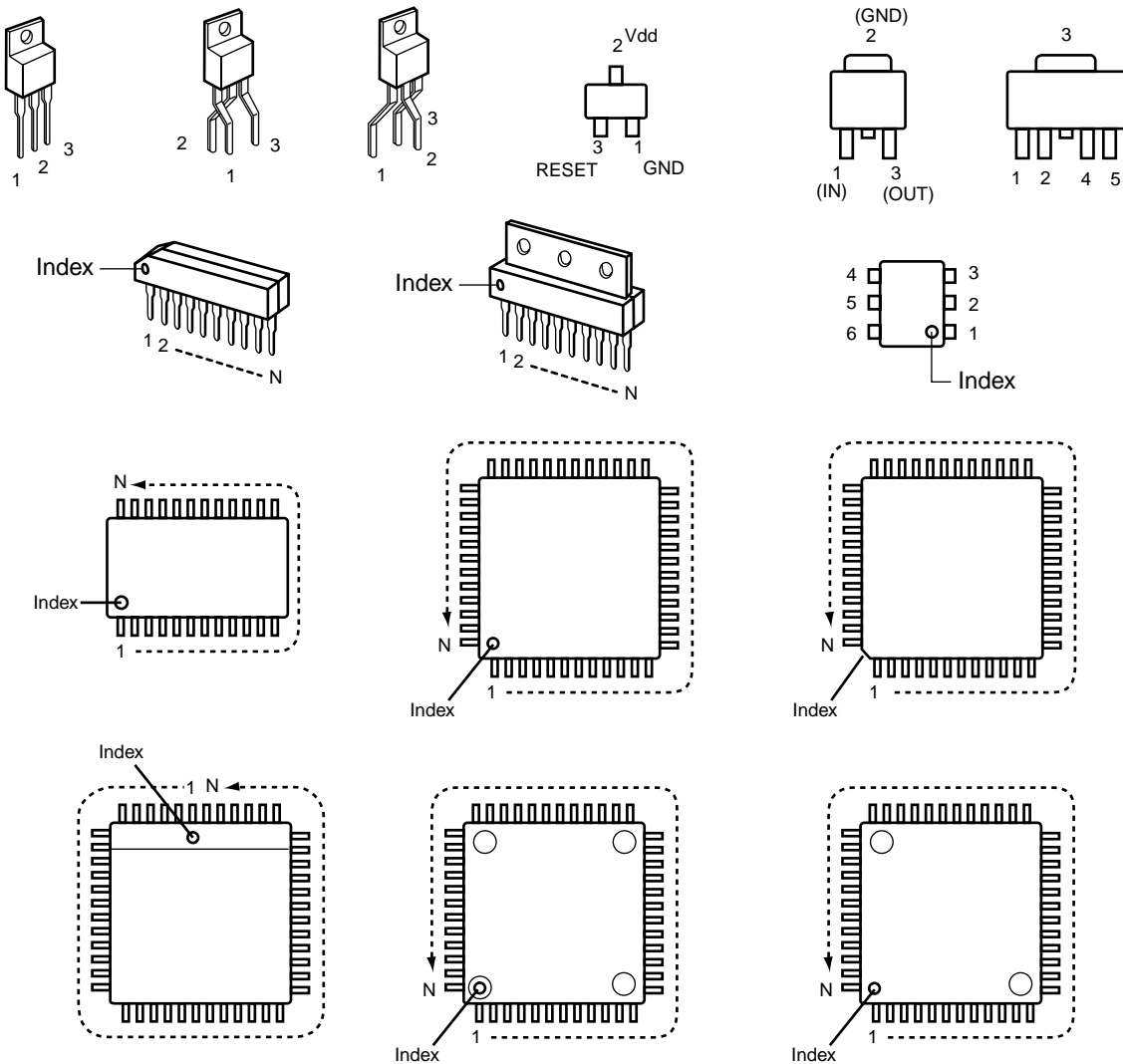
● Diode



● Transistor/FET

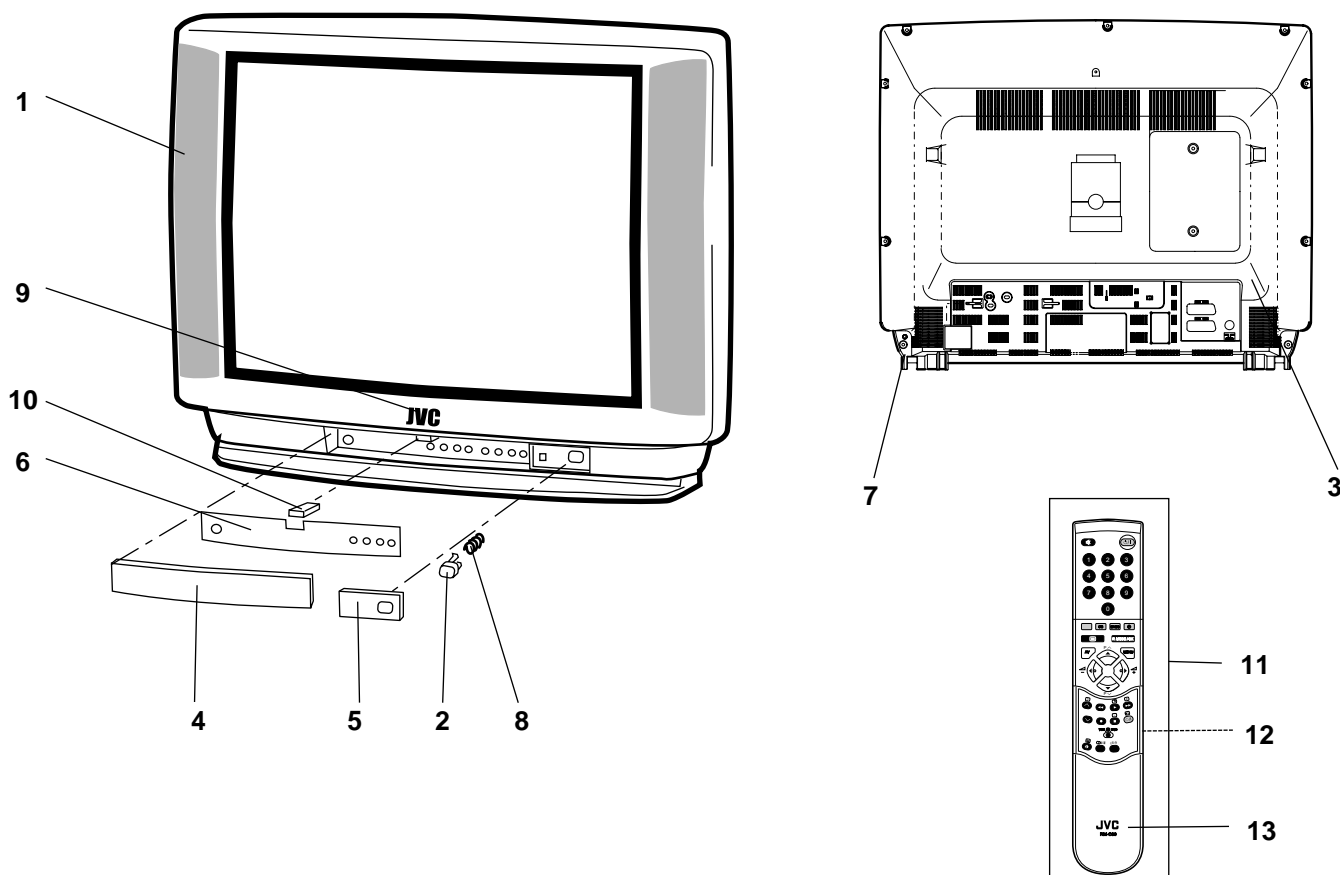


● IC



CABINET PARTS LIST

Note: Parts order must contain Service Ref. No., Part No., and descriptions.



Key No.	Part No.	Description	Key No.	Part No.	Description
CABINET PARTS			ACCESSORIES		
AV-28BK5ECS			11	Y-645 044 1028	ASSY,REMOCON JXMVA (Include Key No. 12,13)
1	Y-610 289 8927	ASSY,CABINET FR-F7SJ	12	Y-610 289 6350	RC-BATTERY LID-JXMVA
2	Y-610 261 6057	BUTTON POWER-F3SCM	13	Y-610 289 6367	RC SLIDE DOOR-JXMVA
3	Y-610 289 9320	CABINET BACK-F7SJ		Y-610 289 9825	INSTRUCTIONS MANUAL-F7SJ
4	Y-610 289 9351	DOOR-F7SJ		Y-610 289 9832	GUARANTEE CARD-F7SJ
5	Y-610 261 6132	DEC BOARD-F3SCM	PACKING PARTS		
6	Y-610 286 1112	DEC CONTROL SHEET-F7SH		Y-610 289 9726	CARTON CASE-F7SJ
7	Y-610 253 2449	HOLDER AC CORD-GBR-D4VA		Y-610 271 9666	CUSHION BTM-F3SLV-A
8	Y-610 261 3032	SPRING-E7GC		Y-610 265 9573	CUSHION TOP-F3SLV
9	Y-645 043 8530	BADGE,JVC*35.7X14.2L35		Y-610 122 4253	POLY WRAP-D8AD
10	Y-610 104 2505	LATCH PUSH,7.9X6.9BK			
AV-28BK5ECB					
1	Y-610 289 8934	ASSY,CABINET FR-F7SK			
2	Y-610 261 6057	BUTTON POWER-F3SCM			
3	Y-610 283 9975	CABINET BACK-F7SH			
4	Y-610 289 9368	DOOR-F7SK			
5	Y-610 261 6132	DEC BOARD-F3SCM			
6	Y-610 286 1112	DEC CONTROL SHEET-F7SH			
7	Y-610 253 2449	HOLDER AC CORD-GBR-D4VA			
8	Y-610 261 3032	SPRING-E7GC			
9	Y-645 043 7359	BADGE,JVC*35.7X14.2L35			
10	Y-610 104 2505	LATCH PUSH,7.9X6.9BK			

CHASSIS ELECTRICAL PARTS LIST

Product safety should be considered when a component replacement is made in any area of a receiver. Components indicated by a Δ mark in this parts list and the circuit diagram show components whose value have special significance to product safety. It is particularly recommended that only parts specified on the following parts list be used for components replacement pointed out by the mark.

Note: Parts order must contain Service Ref. No., Part No., and descriptions. The main unit will be supplied without tuner and flyback transformer. They should be ordered separately. P. W. Board Ass'y will not be supplied, but those which are filled with the Parts No. in the Parts No. columns will be supplied.

Ref. No.	Part No.	Description	Ref. No.	Part No.	Description
<p>NOTES: Read description in the Capacitor and Resistor as follows:</p> <p>CAPACITOR</p> <p>CERAMIC 100P K 50V</p> <p>Rated Voltage</p> <p>Tolerance Symbols: Less than 10pF A : Not specified B : ±0.1pF C : ±0.25pF D : ±0.5pF F : ±1PF G : ±2pF R : ±0.25-0pF S : ±0-0.25pF E : +0-1pF More than 10pF A : Not specified B : ±0.1% C : ±0.25% D : ±0.5% F : ±1% G : ±2% H : ±3% J : ±5% K : ±10% L : ±15% M : ±20% N : ±30% P : +100-0% Q : +30-10% T : +50-10% U : +75-10% V : +20-10% W : +100-10% X : +40-20% Y : +150-10% Z : +80-20%</p> <p>Rated value: P=pico farad, U=micro farad</p> <p>Material: CERAMIC..... Ceramic MT-PAPER..... Metallized Paper POLYESTER..... Polyester MT-POLYEST..... Metallized Polyester POLYPRO..... Polypropylene MT-POLYPRO..... Metallized Polypropylene COMPO FILM..... Composite film MT-COMPO..... Metallized Composite STYRENE..... Styrene TA-SOLID..... Tantalum Solid AL-SOLID..... Aluminium Solid ELECT..... Electrolytic NP-ELECT..... Non-polarised Electrolytic OS-SOLID..... Aluminium Solid with Organic Semiconductive Electrolytic DL-ELECT..... Double Layered Electrolytic</p>			<p>BOARDS CONSTRUCTION</p> <p>Y-610 285 8822 ASSY,PWB,PWR&DEF F7SHV (1AA0B10E610B0)</p> <p>Y-610 289 6268 ASSY,PWB,TU & SIGNAL F7SJ (1AA0B10E611CA)</p> <p>Y-610 289 6275 ASSY,PWB,SCART F7SJV (1AA0B10E611CB)</p> <p>Y-610 289 6282 ASSY,PWB,SCAN CONV F7SJV (1AA0B10E611CC)</p> <p>Y-610 289 6299 ASSY,PWB,HOP F7SJV (1AA0B10E611CD)</p> <p>Y-610 285 4633 ASSY,PWB,SOCKET C2WFFV (1AA0B10E612A0)</p> <p>Y-610 287 5270 ASSY,PWB,HARMONICS C2WFFV (1AA0B10E63100)</p>		
<p>RESISTOR</p> <p>CARBON 4.7K J A 1/4W</p> <p>Rated Wattage</p> <p>Performance Symbols: A: General B: Non flammable Z: Low noise Other: Temperature coefficient</p> <p>Tolerance Symbols: A: ±0.05% B: ±0.1% C: ±0.25% D: ±0.5% F: ±1% G: ±2% J: ±5% K: ±10% M: ±20% P: +5-15%</p> <p>Rated value, ohms: K: 1,000, M: 1,000,000</p> <p>Material: CARBON..... Carbon MT-FILM..... Metal Film OXIDE-MT..... Oxide Metal Film SOLID..... Composition MT-GLAZE..... Metal Glaze WIRE WOUND... Wire Wound CERAMIC RES.. Ceramic FUSIBLE RES.... Fusible</p>			<p>OUT OF CIRCUIT BOARD</p> <p>PICTURE TUBE Δ Q901 Y-414 010 0002 CRT A66EHJ43X12</p> <p>COIL Δ L901 Y-645 041 8037 COIL,DEGAUSSING-F</p> <p>MISCELLANEOUS</p> <p>R901 Y-401 060 2704 OXIDE-MT 220 JA 1W SP901 Y-610 232 3986 SPEAKER SP902 Y-610 232 3986 SPEAKER Δ W901 Y-645 012 7632 ASSY,CORD,POWER W902 Y-610 289 0136 ASSY,WIRE GND CONNECTOR C</p> <p>Y-610 285 8822 ASSY,PWB,PWR&DEF F7SHV</p> <p>TRANSISTOR</p> <p>Q001 Y-405 011 8401 TR 2SC1740S-Q Q1131 Y-405 011 8401 TR 2SC1740S-Q Q1136 Y-405 011 8401 TR 2SC1740S-Q Q1911 Y-405 011 8401 TR 2SC1740S-Q Q1912 Y-406 000 6804 TR 2SA1015-GR(SAN) Q401 Y-405 011 8401 TR 2SC1740S-Q Q402 Y-405 014 2406 TR 2SC2383-O(SAN) Q411 Y-406 016 1503 TR 2SC5570(LBSAN) Q461 Y-405 029 6307 TR 2SB817-E Q471 Y-405 039 3303 TR 2SC3114-R Q611 Y-406 000 6804 TR 2SA1015-GR(SAN) Q612 Y-405 058 0208 TR 2SC3807-R-CTV-YA Q613 Y-405 095 0407 TR 2SC4429-L-YB Q649 Y-405 016 9403 TR 2SC3068 Q685 Y-406 000 6804 TR 2SA1015-GR(SAN)</p>		

Ref. No.	Part No.	Description	Ref. No.	Part No.	Description
INTEGRATED CIRCUIT			C509	Y-403 063 0206	POLYESTER 6800P K 50V
IC001	Y-409 301 4906	IC TDA7263M	C510	Y-403 274 6004	POLYESTER 0.033U K 100V
IC501	Y-409 431 5002	IC LA7876N	C511	Y-403 036 0905	CERAMIC 39P K 500V
IC631	Y-409 172 8102	IC SE130NH	△ C601	Y-404 056 1408	MT-POLYEST 0.1U M 250V
IC651	Y-409 438 9300	IC BA08T(TO220FP)	C603	Y-404 056 1408	MT-POLYEST 0.1U M 250V
IC652	Y-409 368 4208	IC BA17812T	C604	Y-403 075 8207	CERAMIC 0.01U P 500V
IC681	Y-409 416 7908	IC BA05T	C606	Y-403 076 6707	CERAMIC 1000P K 1K
CAPACITOR			C608	Y-403 076 6707	CERAMIC 1000P K 1K
C001	Y-403 166 7706	MT-POLYEST 0.47U J 63V	C609	Y-404 044 5005	ELECT 220U M 400V
C002	Y-403 057 7709	POLYESTER 0.012U K 50V	C611	Y-403 061 8303	POLYESTER 4700P K 50V
C003	Y-403 166 7706	MT-POLYEST 0.47U J 63V	C612	Y-403 270 2901	MT-POLYEST 0.1U K 63V
C004	Y-403 057 7709	POLYESTER 0.012U K 50V	C613	Y-403 058 2604	POLYESTER 0.015U J 50V
C005	Y-403 046 3507	ELECT 33U M 25V	C614	Y-403 060 2500	POLYESTER 0.027U K 50V
C006	Y-403 046 3507	ELECT 33U M 25V	C615	Y-403 247 2101	CERAMIC 2200P K 2K
C007	Y-403 057 3107	POLYESTER 0.1U K 50V	△ C627	Y-404 073 4505	CERAMIC 2200P K 250V
C008	Y-403 057 3107	POLYESTER 0.1U K 50V	△ C628	Y-404 073 5106	CERAMIC 470P K 250V
C009	Y-403 057 3107	POLYESTER 0.1U K 50V	△ C629	Y-404 073 5106	CERAMIC 470P K 250V
C010	Y-403 057 3107	POLYESTER 0.1U K 50V	C632	Y-403 246 8708	CERAMIC 1000P K 2K
C011	Y-403 209 7205	ELECT 2200U M 25V	C637	Y-403 247 5003	CERAMIC 470P K 1K
C012	Y-403 209 7205	ELECT 2200U M 25V	C638	Y-403 069 0507	CERAMIC 1000P K 50V
C015	Y-403 047 3100	ELECT 47U M 25V	C641	Y-403 148 0404	ELECT 1000U M 25V
C021	Y-403 119 8101	ELECT 1000U M 35V	C642	Y-404 053 8905	ELECT 220U M 160V
C030	Y-403 069 0507	CERAMIC 1000P K 50V	C643	Y-403 148 1609	ELECT 470U M 50V
C1102	Y-403 069 0507	CERAMIC 1000P K 50V	C644	Y-403 218 8101	ELECT 1000U M 25V
C1106	Y-403 068 9006	CERAMIC 100P K 50V	C645	Y-403 209 7205	ELECT 2200U M 25V
C1107	Y-403 069 0507	CERAMIC 1000P K 50V	C646	Y-403 158 0609	ELECT 4700U M 16V
C1108	Y-403 041 8804	ELECT 10U M 16V	C647	Y-403 154 8500	ELECT 3300U M 35V
C1109	Y-403 041 8804	ELECT 10U M 16V	C649	Y-403 075 9006	CERAMIC 150P K 500V
C1110	Y-403 068 9006	CERAMIC 100P K 50V	C651	Y-403 044 9501	ELECT 100U M 25V
C1121	Y-403 069 8305	CERAMIC 0.01U Z 50V	C652	Y-403 039 6508	ELECT 100U M 10V
C1122	Y-403 069 8305	CERAMIC 0.01U Z 50V	C653	Y-403 069 8305	CERAMIC 0.01U Z 50V
C1123	Y-403 085 4008	NP-ELECT 10U M 16V	C654	Y-403 044 9501	ELECT 100U M 25V
C1124	Y-403 069 8305	CERAMIC 0.01U Z 50V	C661	Y-403 049 4204	ELECT 10U M 50V
C1125	Y-403 069 8305	CERAMIC 0.01U Z 50V	C670	Y-403 040 5408	ELECT 2200U M 10V
C1126	Y-403 085 4008	NP-ELECT 10U M 16V	C671	Y-403 040 5408	ELECT 2200U M 10V
C1131	Y-403 041 8804	ELECT 10U M 16V	C672TM	Y-403 039 9004	ELECT 1000U M 10V
C1132	Y-403 069 8305	CERAMIC 0.01U Z 50V	C681	Y-403 043 1902	ELECT 2200U M 16V
C1136	Y-403 041 8804	ELECT 10U M 16V	C682	Y-403 049 0008	ELECT 1U M 50V
C1137	Y-403 069 8305	CERAMIC 0.01U Z 50V	C683	Y-403 039 6508	ELECT 100U M 10V
C1901	Y-403 040 1707	ELECT 22U M 10V	C685	Y-403 050 6600	ELECT 3.3U M 50V
C400TM	Y-403 270 2901	MT-POLYEST 0.1U K 63V	RESISTOR		
C401	Y-403 256 0808	MT-COMPO 0.47U J 50V	△ RL649	Y-645 028 2713	RELAY
C402	Y-403 148 1401	ELECT 220U M 50V	R001	Y-401 026 4308	CARBON 3.3K JA 1/6W
C404	Y-403 222 1907	CERAMIC 2200P K 1K	R002	Y-401 024 7004	CARBON 1K JA 1/6W
C405	Y-403 045 9807	ELECT 2200U M 25V	R003	Y-401 026 4308	CARBON 3.3K JA 1/6W
C406	Y-403 165 6106	CERAMIC 470P K 1K	R004	Y-401 024 7004	CARBON 1K JA 1/6W
△ C411	Y-403 348 0600	MT-POLYPRO 6800P H 1.5K	R005	Y-401 026 9303	CARBON 47 JA 1/6W
△ C412	Y-403 353 1005	MT-POLYPRO 4700P H 1.5K	R006	Y-401 025 1605	CARBON 1.5K JA 1/6W
C413	Y-403 354 9901	MT-POLYPRO 0.015U J 1K	R007	Y-401 026 9303	CARBON 47 JA 1/6W
C414	Y-403 354 9901	MT-POLYPRO 0.015U J 1K	R008	Y-401 025 1605	CARBON 1.5K JA 1/6W
△ C421	Y-403 353 2200	MT-POLYPRO 0.18U J 400V	R009	Y-401 026 8108	CARBON 4.7 JA 1/6W
△ C422	Y-403 353 2309	MT-POLYPRO 0.22U J 400V	R010	Y-401 026 8108	CARBON 4.7 JA 1/6W
C431	Y-403 165 7608	CERAMIC 220P K 3K	R013	Y-401 024 9305	CARBON 1.2K JA 1/6W
C432	Y-403 076 0507	CERAMIC 2200P K 500V	R014	Y-401 022 1905	CARBON 680 JA 1/4W
C434TM	Y-403 069 0507	CERAMIC 1000P K 50V	R015	Y-401 025 7409	CARBON 220 JA 1/6W
C441	Y-403 185 8807	MT-POLYEST 1U K 250V	R016	Y-401 022 1905	CARBON 680 JA 1/4W
C442	Y-403 183 4702	NP-ELECT 4.7U M 50V	R018	Y-401 024 7400	CARBON 10K JA 1/6W
C443	Y-403 183 4702	NP-ELECT 4.7U M 50V	R021	Y-401 024 7004	CARBON 1K JA 1/6W
C456	Y-403 051 0607	ELECT 4.7U M 50V	R022	Y-401 027 0309	CARBON 47K JA 1/6W
C463	Y-403 188 0808	MT-POLYEST 2.2U J 100V	R1101	Y-401 025 7805	CARBON 2.2K JA 1/6W
C464	Y-403 188 0808	MT-POLYEST 2.2U J 100V	R1102	Y-401 024 7707	CARBON 100K JA 1/6W
C465	Y-403 260 2003	MT-COMPO 1U J 50V	R1106	Y-401 025 7805	CARBON 2.2K JA 1/6W
C476	Y-403 049 4204	ELECT 10U M 50V	R1107	Y-401 024 7707	CARBON 100K JA 1/6W
C481	Y-403 260 0702	ELECT 33U M 250V	R1121	Y-401 014 2903	CARBON 150 JA 1/4W
C501	Y-403 148 0404	ELECT 1000U M 25V	R1122	Y-401 014 2903	CARBON 150 JA 1/4W
C502	Y-403 148 0404	ELECT 1000U M 25V	R1131	Y-401 025 8703	CARBON 220K JA 1/6W
C503TM	Y-403 050 4408	ELECT 220U M 50V	R1132	Y-401 025 8703	CARBON 220K JA 1/6W
C504	Y-403 148 1401	ELECT 220U M 50V	R1133	Y-401 027 2600	CARBON 5.6K JA 1/6W
C506	Y-403 256 4806	MT-COMPO 0.1U J 100V	R1136	Y-401 025 8703	CARBON 220K JA 1/6W

Ref. No.	Part No.	Description	Ref. No.	Part No.	Description
R1137	Y-401 025 8703	CARBON 220K JA 1/6W	R647	Y-402 068 5001	WIRE WOUND 6.8 KA 7W
R1138	Y-401 027 2600	CARBON 5.6K JA 1/6W	R648	Y-401 026 4308	CARBON 3.3K JA 1/6W
R1902	Y-401 025 4606	CARBON 18K JA 1/6W	R649	Y-401 027 3003	CARBON 56K JA 1/6W
R1903	Y-401 027 5502	CARBON 6.8K JA 1/6W	R651	Y-402 055 8206	WIRE WOUND 6.8 JA 3W
R1904	Y-401 026 9907	CARBON 4.7K JA 1/6W	R661	Y-401 061 8101	OXIDE-MT 39K JA 1W
R1905	Y-401 026 4308	CARBON 3.3K JA 1/6W	R685	Y-401 027 8602	CARBON 8.2K JA 1/6W
R1906	Y-401 026 4308	CARBON 3.3K JA 1/6W	R686	Y-401 025 8208	CARBON 22K JA 1/6W
R1908	Y-401 024 6700	CARBON 100 JA 1/6W	VARIABLE RESISTOR		
R1911	Y-401 026 9600	CARBON 470 JA 1/6W	△ VA601	Y-407 130 2902	VARISTOR ENC471D-14A
R1912	Y-401 026 9600	CARBON 470 JA 1/6W	TRANSFORMER		
R1913	Y-401 026 9600	CARBON 470 JA 1/6W	T401	Y-610 000 1176	DRIVE TRANS
R1914	Y-401 025 8208	CARBON 22K JA 1/6W	△ T402	Y-645 041 1625	TRANS, FLYBACK
R1916	Y-401 025 7409	CARBON 220 JA 1/6W	△ T611	Y-645 042 9026	TRANS, POWER, PULSE
R1917	Y-401 025 8208	CARBON 22K JA 1/6W	T681	Y-645 033 1015	TRANS, POWER
R400TM	Y-401 024 7400	CARBON 10K JA 1/6W	COIL		
R401	Y-401 024 7400	CARBON 10K JA 1/6W	L1101	Y-645 001 4567	INDUCTOR, 10U K
R403	Y-401 026 6609	CARBON 390 JA 1/6W	L1106	Y-645 001 4567	INDUCTOR, 10U K
R405	Y-401 026 6609	CARBON 390 JA 1/6W	L1121	Y-645 008 5635	INDUCTOR, 12U K
R406	Y-401 025 7805	CARBON 2.2K JA 1/6W	L1122	Y-645 008 5635	INDUCTOR, 12U K
R407	Y-401 007 8400	CARBON 1.5K JA 1/2W	L1123	Y-645 002 1787	CORE, PIPE
R408	Y-401 064 7507	OXIDE-MT 100 JA 2W	L421	Y-645 039 9381	COIL, LINEARITY
R411	Y-401 101 5800	OXIDE-MT 0.68 JA 2W	L461	Y-610 000 0148	COIL
R412	Y-401 069 5607	OXIDE-MT 8.2 JA 2W	L462	Y-610 000 0148	COIL
R413	Y-401 010 2600	CARBON 47 JB 1/2W	L465	Y-610 203 9078	COIL
△ R421	Y-402 003 0108	FUSIBLE RES 1K J- 2W	L502	Y-645 008 5642	INDUCTOR, 3.3U K
R431	Y-401 024 7004	CARBON 1K JA 1/6W	L601	Y-610 237 2328	PIPE CORE
R441	Y-402 072 1204	WIRE WOUND 1.8 KA 7W	L602	Y-610 237 2328	PIPE CORE
R442	Y-401 024 7004	CARBON 1K JA 1/6W	△ L603	Y-645 019 3873	LINE FILTER
R443	Y-401 024 7400	CARBON 10K JA 1/6W	△ L604	Y-645 019 3873	LINE FILTER
R444	Y-401 017 2801	CARBON 27K JA 1/4W	△ L605	Y-645 019 3873	LINE FILTER
R445	Y-401 018 4903	CARBON 33K JA 1/4W	L611	Y-610 031 1558	INDUCTOR, 15U K
R446	Y-401 016 0105	CARBON 20K JA 1/4W	L654	Y-645 001 4871	INDUCTOR, 10U K
R451	Y-401 064 4506	OXIDE-MT 1.2 JA 2W	DIODE		
R456	Y-401 011 9004	CARBON 1 JB 1/4W	D1910	Y-407 196 7705	LED SLP-581D-51
R457	Y-401 024 9701	CARBON 12K JA 1/6W	D411	Y-407 157 0806	DIODE RS4FS LF-L1
R458	Y-401 027 5908	CARBON 68K JA 1/6W	D412	Y-407 142 5908	DIODE FMP-G3FS
R459	Y-401 025 1902	CARBON 15K JA 1/6W	D413	Y-407 120 3704	DIODE FMU-16S LF-F
R471	Y-401 053 1202	MT-FILM 2.2K FA 1/6W	D431	Y-407 063 8200	ZENER DIODE MTZJ10A
R472	Y-401 027 5205	CARBON 680 JA 1/6W	D455	Y-407 099 6904	ZENER DIODE MTZJ15A
R473	Y-401 027 9005	CARBON 82K JA 1/6W	D456	Y-407 011 4407	DIODE TVR1G
R474	Y-401 027 5502	CARBON 6.8K JA 1/6W	D457	Y-407 158 1307	ZENER DIODE HZ11B2L
R475	Y-401 023 1706	CARBON 820 JA 1/4W	D458	Y-407 158 1307	ZENER DIODE HZ11B2L
R481	Y-401 008 3800	CARBON 2.2 JB 1/2W	D459	Y-408 008 2406	DIODE 1N4148
R491	Y-401 015 4708	CARBON 180K JA 1/4W	D477	Y-407 063 9603	ZENER DIODE MTZJ9.1A
R492	Y-401 027 2600	CARBON 5.6K JA 1/6W	D481	Y-407 007 7405	DIODE EU1
△ R501	Y-402 041 5202	FUSIBLE RES 2.2 J- 2W	D491	Y-408 008 2406	DIODE 1N4148
△ R502	Y-402 059 3801	FUSIBLE RES 3.3 J- 2W	D501	Y-407 100 0204	ZENER DIODE MTZJ36A
R503	Y-401 053 2605	MT-FILM 3.3K FA 1/6W	D502	Y-407 100 0204	ZENER DIODE MTZJ36A
R504	Y-401 012 1106	CARBON 1.5 JA 1/4W	D503	Y-407 005 7308	DIODE EM01Z
R507	Y-401 053 2605	MT-FILM 3.3K FA 1/6W	D504	Y-407 005 7308	DIODE EM01Z
R508	Y-401 010 3102	CARBON 470 JA 1/2W	D603	Y-407 006 6300	DIODE ERC05-10B
R509	Y-401 104 7207	OXIDE-MT 1.3 JA 2W	D604	Y-407 006 6300	DIODE ERC05-10B
△ R601	Y-401 010 4802	CARBON 470K JA 1/2W	D605	Y-407 006 6300	DIODE ERC05-10B
R603	Y-402 070 9806	WIRE WOUND 1.8 KA 5W	D606	Y-407 006 6300	DIODE ERC05-10B
R611	Y-401 027 2600	CARBON 5.6K JA 1/6W	△ D610	Y-407 173 2907	PHOTO COUPLE PC123F2
R612	Y-401 007 5805	CARBON 120K JA 1/2W	D614	Y-408 008 2406	DIODE 1N4148
R613	Y-401 007 5805	CARBON 120K JA 1/2W	D616	Y-408 008 2406	DIODE 1N4148
R614	Y-401 014 5201	CARBON 15K JA 1/4W	D617	Y-407 007 6606	DIODE ES1
R615	Y-401 019 9600	CARBON 47 JA 1/4W	D618	Y-408 008 2406	DIODE 1N4148
R616	Y-401 025 1605	CARBON 1.5K JA 1/6W	D619	Y-407 063 9108	ZENER DIODE MTZJ6.8B
R617	Y-401 024 7004	CARBON 1K JA 1/6W	D631	Y-407 009 8905	DIODE RU3M
R618	Y-401 015 2209	CARBON 1.8K GA 1/4W	D632	Y-407 129 7000	DIODE RU4AM LF-L1
R619	Y-401 025 8208	CARBON 22K JA 1/6W	D633	Y-407 007 7801	DIODE EU2Z
R620	Y-401 066 5204	OXIDE-MT 22 JA 2W	D634	Y-407 009 8905	DIODE RU3M
R621	Y-401 066 5204	OXIDE-MT 22 JA 2W	D635	Y-407 129 6706	DIODE RU4YX LF-L1
R622	Y-401 066 5204	OXIDE-MT 22 JA 2W	D636	Y-407 129 6706	DIODE RU4YX LF-L1
R623	Y-401 066 5204	OXIDE-MT 22 JA 2W	D637	Y-407 166 2303	DIODE ERC91-02L
△ R628	Y-402 000 8305	SOLID 5.6M KA 1/2W	D649	Y-408 008 2406	DIODE 1N4148
△ R629	Y-402 000 8305	SOLID 5.6M KA 1/2W			
R641	Y-401 011 2708	CARBON 68K JA 1/2W			

Ref. No.	Part No.	Description	Ref. No.	Part No.	Description
D651	Y-408 008 2406	DIODE 1N4148	IC3451	Y-409 476 5302	IC TDA9870AH/V2
D652	Y-408 008 2406	DIODE 1N4148	IC801	Y-410 371 0309	IC ST92R195B9/JBC
D661	Y-407 100 0204	ZENER DIODE MTZJ36A	IC802	Y-409 383 6805	IC 24LC08B/P
D670	Y-407 108 5300	DIODE SB07-03N	IC831	Y-409 301 2803	IC MN1381-Q
D681	Y-407 005 8602	DIODE ERA15-02	IC871	Y-410 391 1300	IC PROM 1MB F7SJV
D682	Y-407 005 8602	DIODE ERA15-02	CAPACITOR		
D683	Y-407 005 8602	DIODE ERA15-02	CZ101TM	Y-403 072 5308	CERAMIC 2700P K 50V
D684	Y-407 005 8602	DIODE ERA15-02	C100	Y-403 041 8804	ELECT 10U M 16V
D686	Y-408 008 2406	DIODE 1N4148	C101	Y-403 039 2104	ELECT 47U M 6.3V
D687	Y-408 008 2406	DIODE 1N4148	C102	Y-403 039 3507	ELECT 470U M 6.3V
MISCELLANEOUS			C103	Y-403 046 9905	ELECT 4.7U M 25V
△ F001	Y-645 017 6944	PROTECTOR,1.5A 125V	C104	Y-403 039 3507	ELECT 470U M 6.3V
△ F601	Y-423 022 2102	FUSE 250V 4A	C105	Y-403 149 9208	CERAMIC 0.01U Z 50V
F601A	Y-645 000 5077	HOLDER,FUSE	C106	Y-403 039 3507	ELECT 470U M 6.3V
F601B	Y-645 000 5077	HOLDER,FUSE	C107	Y-403 149 9208	CERAMIC 0.01U Z 50V
A1901	Y-645 028 1044	UNIT,REMOCON RECEIVER	C108	Y-403 049 4204	ELECT 10U M 50V
K1121	Y-645 005 5706	JACK,PHONE D3.6	C109	Y-403 155 1500	CERAMIC 180P J 50V
△ PS601	Y-408 013 3801	TH PTH451C262BF140M270	C114	Y-403 155 2309	CERAMIC 4700P K 50V
SW1901	Y-610 011 4432	SWITCH,PUSH	C1200	Y-403 041 8804	ELECT 10U M 16V
SW1902	Y-610 011 4432	SWITCH,PUSH	C1201	Y-403 043 9106	ELECT 47U M 16V
SW1903	Y-610 011 4432	SWITCH,PUSH	C1202	Y-403 042 2405	ELECT 100U M 16V
SW1904	Y-610 011 4432	SWITCH,PUSH	C1203	Y-403 164 0204	CERAMIC 0.1U Z 25V
△ SW601	Y-645 017 0928	SWITCH,PUSH POWER 2P-2T	C1211	Y-403 298 9609	CERAMIC 0.1U K 16V
Y-610 289 6268 ASSY,PWB,TU & SIGNAL F7SJ			C1212	Y-403 153 9300	CERAMIC 82P J 50V
TRANSISTOR			C1213	Y-403 049 0008	ELECT 1U M 50V
Q101	Y-405 014 4509	TR 2SC2412K T146 R	C1214	Y-403 049 0008	ELECT 1U M 50V
Q1241	Y-405 014 4509	TR 2SC2412K T146 R	C1215	Y-403 049 0008	ELECT 1U M 50V
Q1242	Y-405 014 4509	TR 2SC2412K T146 R	C1216	Y-403 298 9609	CERAMIC 0.1U K 16V
Q1251	Y-405 134 5905	TR 2SA1037AK-T146-R	C1217	Y-403 153 9300	CERAMIC 82P J 50V
Q1252	Y-405 134 5905	TR 2SA1037AK-T146-R	C1218	Y-403 049 0008	ELECT 1U M 50V
Q1261	Y-405 014 4509	TR 2SC2412K T146 R	C1219	Y-403 298 9609	CERAMIC 0.1U K 16V
Q1262	Y-405 011 8401	TR 2SC1740S-Q	C1220	Y-403 153 9300	CERAMIC 82P J 50V
Q1263	Y-405 134 5905	TR 2SA1037AK-T146-R	C1235	Y-403 270 2901	MT-POLYEST 0.1U K 63V
Q1271	Y-405 134 5905	TR 2SA1037AK-T146-R	C1236	Y-403 153 9300	CERAMIC 82P J 50V
Q1272	Y-405 134 5905	TR 2SA1037AK-T146-R	C1241	Y-403 041 8804	ELECT 10U M 16V
Q1281	Y-405 014 4509	TR 2SC2412K T146 R	C1242	Y-403 041 8804	ELECT 10U M 16V
Q1282	Y-405 014 4509	TR 2SC2412K T146 R	C1251	Y-403 049 4204	ELECT 10U M 50V
Q1291	Y-405 011 8401	TR 2SC1740S-Q	C1252	Y-403 049 4204	ELECT 10U M 50V
Q131	Y-405 015 9701	TR 2SC2814-F4-TB	C1261	Y-403 152 4702	NP-ELECT 10U M 16V
Q134	Y-405 014 4509	TR 2SC2412K T146 R	C1262	Y-403 041 8804	ELECT 10U M 16V
Q136	Y-405 014 4509	TR 2SC2412K T146 R	C1271	Y-403 042 7707	ELECT 22U M 16V
Q137	Y-405 134 5905	TR 2SA1037AK-T146-R	C1272	Y-403 042 2405	ELECT 100U M 16V
Q139	Y-405 134 5905	TR 2SA1037AK-T146-R	C1273	Y-403 164 0204	CERAMIC 0.1U Z 25V
Q141	Y-405 014 4509	TR 2SC2412K T146 R	C1274	Y-403 049 4204	ELECT 10U M 50V
Q181	Y-405 014 4509	TR 2SC2412K T146 R	C1275	Y-403 149 9208	CERAMIC 0.01U Z 50V
Q201	Y-405 134 5905	TR 2SA1037AK-T146-R	C1276	Y-403 049 0008	ELECT 1U M 50V
Q202	Y-405 134 5905	TR 2SA1037AK-T146-R	C1278A	Y-403 298 9609	CERAMIC 0.1U K 16V
Q203	Y-405 134 5905	TR 2SA1037AK-T146-R	C1279	Y-403 049 0008	ELECT 1U M 50V
Q221	Y-405 011 8401	TR 2SC1740S-Q	C1281	Y-403 041 8804	ELECT 10U M 16V
Q222	Y-405 011 8401	TR 2SC1740S-Q	C1282	Y-403 041 8804	ELECT 10U M 16V
Q236	Y-405 003 2004	TR 2SA1252-D6-TB	C1291	Y-403 042 2405	ELECT 100U M 16V
Q841	Y-405 014 4509	TR 2SC2412K T146 R	C1292	Y-403 164 0204	CERAMIC 0.1U Z 25V
Q842	Y-405 014 4509	TR 2SC2412K T146 R	C130	Y-403 149 9208	CERAMIC 0.01U Z 50V
Q843	Y-405 134 5905	TR 2SA1037AK-T146-R	C131	Y-403 149 9208	CERAMIC 0.01U Z 50V
Q844	Y-405 134 5905	TR 2SA1037AK-T146-R	C136	Y-403 149 9208	CERAMIC 0.01U Z 50V
Q845	Y-405 134 5905	TR 2SA1037AK-T146-R	C137	Y-403 149 9208	CERAMIC 0.01U Z 50V
Q851	Y-405 134 5905	TR 2SA1037AK-T146-R	C138	Y-403 149 9208	CERAMIC 0.01U Z 50V
Q852	Y-405 134 5905	TR 2SA1037AK-T146-R	C139	Y-403 049 9803	ELECT 2.2U M 50V
Q853	Y-405 142 7205	TR DTC124TKA-T146	C141	Y-403 049 9803	ELECT 2.2U M 50V
INTEGRATED CIRCUIT			C142	Y-403 200 0700	MT-POLYEST 0.1U J 50V
IC100	Y-409 437 4702	IC L88M05TL-TL	C144	Y-403 041 2109	ELECT 47U M 10V
IC101	Y-410 352 5101	IC TDA9321H/N2C	C145	Y-403 149 9208	CERAMIC 0.01U Z 50V
IC1201	Y-409 477 4304	IC L88M09TL-TL	C146	Y-403 149 9208	CERAMIC 0.01U Z 50V
IC1211	Y-409 419 5406	IC MM1313BD	C147	Y-403 149 9208	CERAMIC 0.01U Z 50V
IC3450	Y-409 437 4702	IC L88M05TL-TL	C148	Y-403 145 9905	CERAMIC 22P J 50V
			C149	Y-403 155 4204	CERAMIC 15P J 50V
			C151	Y-403 048 6308	ELECT 0.47U M 50V
			C152	Y-403 169 2807	CERAMIC 330P J 50V
			C154	Y-403 048 6308	ELECT 0.47U M 50V

Ref. No.	Part No.	Description	Ref. No.	Part No.	Description
C156	Y-403 041 2109	ELECT 47U M 10V	C815	Y-403 113 3805	CERAMIC 1000P K 50V
C157	Y-403 149 9208	CERAMIC 0.01U Z 50V	C830	Y-403 041 2109	ELECT 47U M 10V
C158	Y-403 040 7501	ELECT 33U M 10V	C831	Y-403 157 4202	CERAMIC 220P J 50V
C201	Y-403 060 5402	POLYESTER 3300P J 50V	C832	Y-403 269 5906	CERAMIC 0.22U K 16V
C202	Y-403 200 0700	MT-POLYEST 0.1U J 50V	C833	Y-403 145 9905	CERAMIC 22P J 50V
C203	Y-403 168 8800	MT-POLYEST 0.22U J 50V	C834	Y-403 155 2309	CERAMIC 4700P K 50V
C204	Y-403 139 7306	CERAMIC 18P J 50V	C835	Y-403 145 9905	CERAMIC 22P J 50V
C206	Y-403 139 7306	CERAMIC 18P J 50V	C836	Y-403 155 2309	CERAMIC 4700P K 50V
C207	Y-403 049 0008	ELECT 1U M 50V	C838	Y-403 113 4109	CERAMIC 2200P K 50V
C208	Y-403 061 8303	POLYESTER 4700P K 50V	C839	Y-403 049 0008	ELECT 1U M 50V
C209	Y-403 041 4509	ELECT 470U M 10V	C841	Y-403 149 9208	CERAMIC 0.01U Z 50V
C210	Y-403 149 9208	CERAMIC 0.01U Z 50V	C842	Y-403 041 2109	ELECT 47U M 10V
C211	Y-403 041 2109	ELECT 47U M 10V	C843	Y-403 048 6308	ELECT 0.47U M 50V
C212	Y-403 149 9208	CERAMIC 0.01U Z 50V	C844	Y-403 153 9300	CERAMIC 82P J 50V
C213	Y-403 298 9609	CERAMIC 0.1U K 16V	C845	Y-403 195 4905	POLYESTER 560P J 50V
C214	Y-403 298 9609	CERAMIC 0.1U K 16V	C846	Y-403 214 5005	POLYESTER 680P J 50V
C215	Y-403 298 9609	CERAMIC 0.1U K 16V	C851	Y-403 041 2109	ELECT 47U M 10V
C216	Y-403 041 2109	ELECT 47U M 10V	C852	Y-403 149 9208	CERAMIC 0.01U Z 50V
C217	Y-403 149 9208	CERAMIC 0.01U Z 50V	C853	Y-403 149 9208	CERAMIC 0.01U Z 50V
C218	Y-403 298 9609	CERAMIC 0.1U K 16V	C871	Y-403 149 9208	CERAMIC 0.01U Z 50V
C219	Y-403 298 9609	CERAMIC 0.1U K 16V	C872	Y-403 041 2109	ELECT 47U M 10V
C220	Y-403 298 9609	CERAMIC 0.1U K 16V	C873	Y-403 298 9609	CERAMIC 0.1U K 16V
C221	Y-403 149 9208	CERAMIC 0.01U Z 50V	C874	Y-403 041 2109	ELECT 47U M 10V
C222	Y-403 049 9803	ELECT 2.2U M 50V	RESISTOR		
C223	Y-403 298 9609	CERAMIC 0.1U K 16V	RB871	Y-645 037 0656	R-NETWORK 0X4 0.063W
C224	Y-403 298 9609	CERAMIC 0.1U K 16V	RB872	Y-645 037 0656	R-NETWORK 0X4 0.063W
C230	Y-403 149 9208	CERAMIC 0.01U Z 50V	RB873	Y-645 037 0656	R-NETWORK 0X4 0.063W
C231	Y-403 149 9208	CERAMIC 0.01U Z 50V	RB874	Y-645 037 0656	R-NETWORK 0X4 0.063W
C232	Y-403 149 9208	CERAMIC 0.01U Z 50V	RB875	Y-645 037 0656	R-NETWORK 0X4 0.063W
C233	Y-403 298 9609	CERAMIC 0.1U K 16V	RB876	Y-645 037 0656	R-NETWORK 0X4 0.063W
C234	Y-403 048 6308	ELECT 0.47U M 50V	RB877	Y-645 037 0656	R-NETWORK 0X4 0.063W
C236	Y-403 042 7707	ELECT 22U M 16V	R101	Y-401 105 7909	MT-GLAZE 0.000 ZA 1/16W
C3450	Y-403 041 4509	ELECT 470U M 10V	R102	Y-401 105 2706	MT-GLAZE 220 JA 1/16W
C3451	Y-403 039 3507	ELECT 470U M 6.3V	R103	Y-401 105 2706	MT-GLAZE 220 JA 1/16W
C3452	Y-403 039 3507	ELECT 470U M 6.3V	R104	Y-401 105 0702	MT-GLAZE 100K JA 1/16W
C3453	Y-403 157 2901	CERAMIC 47P J 50V	R106	Y-401 105 0702	MT-GLAZE 100K JA 1/16W
C3454	Y-403 164 0204	CERAMIC 0.1U Z 25V	R108	Y-401 105 8104	MT-GLAZE 56K JA 1/16W
C3455	Y-403 157 2901	CERAMIC 47P J 50V	R109	Y-401 105 0603	MT-GLAZE 10K JA 1/16W
C3456	Y-403 149 9208	CERAMIC 0.01U Z 50V	R110	Y-401 105 7909	MT-GLAZE 0.000 ZA 1/16W
C3457	Y-403 039 2104	ELECT 47U M 6.3V	R111	Y-401 105 0603	MT-GLAZE 10K JA 1/16W
C3459	Y-403 149 9208	CERAMIC 0.01U Z 50V	R112	Y-401 105 7909	MT-GLAZE 0.000 ZA 1/16W
C3461	Y-403 049 0008	ELECT 1U M 50V	R113	Y-401 105 2805	MT-GLAZE 2.2K JA 1/16W
C3463	Y-403 149 9208	CERAMIC 0.01U Z 50V	R1211	Y-401 105 3208	MT-GLAZE 270 JA 1/16W
C3464	Y-403 149 9208	CERAMIC 0.01U Z 50V	R1212	Y-401 105 6001	MT-GLAZE 5.6K JA 1/16W
C3465	Y-403 149 9208	CERAMIC 0.01U Z 50V	R1213	Y-401 105 6001	MT-GLAZE 5.6K JA 1/16W
C3466	Y-403 149 9208	CERAMIC 0.01U Z 50V	R1214	Y-401 105 0603	MT-GLAZE 10K JA 1/16W
C3467	Y-403 314 5905	CERAMIC 0.47U K 16V	R1215	Y-401 105 6001	MT-GLAZE 5.6K JA 1/16W
C3468	Y-403 039 2104	ELECT 47U M 6.3V	R1216	Y-401 105 3208	MT-GLAZE 270 JA 1/16W
C3471	Y-403 039 2104	ELECT 47U M 6.3V	R1217	Y-401 105 6001	MT-GLAZE 5.6K JA 1/16W
C3472	Y-403 039 2104	ELECT 47U M 6.3V	R1218	Y-401 105 3208	MT-GLAZE 270 JA 1/16W
C3473	Y-403 149 9208	CERAMIC 0.01U Z 50V	R1219	Y-401 105 0603	MT-GLAZE 10K JA 1/16W
C3474	Y-403 149 9208	CERAMIC 0.01U Z 50V	R1231	Y-401 105 0405	MT-GLAZE 100 JA 1/16W
C3475	Y-403 149 9208	CERAMIC 0.01U Z 50V	R1232	Y-401 105 0405	MT-GLAZE 100 JA 1/16W
C3476	Y-403 149 9208	CERAMIC 0.01U Z 50V	R1233	Y-401 105 6001	MT-GLAZE 5.6K JA 1/16W
C3481	Y-403 039 2104	ELECT 47U M 6.3V	R1234	Y-401 105 6001	MT-GLAZE 5.6K JA 1/16W
C3482	Y-403 149 9208	CERAMIC 0.01U Z 50V	R1235	Y-401 113 4402	MT-GLAZE 75 JA 1/16W
C3483	Y-403 149 9208	CERAMIC 0.01U Z 50V	R1236	Y-401 105 3208	MT-GLAZE 270 JA 1/16W
C3484	Y-403 149 9208	CERAMIC 0.01U Z 50V	R1241	Y-401 105 5202	MT-GLAZE 470 JA 1/16W
C3487	Y-403 039 2104	ELECT 47U M 6.3V	R1242	Y-401 105 5202	MT-GLAZE 470 JA 1/16W
C3489	Y-403 314 5905	CERAMIC 0.47U K 16V	R1243	Y-401 105 1600	MT-GLAZE 15K JA 1/16W
C801	Y-403 208 6001	ELECT 2200U M 6.3V	R1244	Y-401 105 1600	MT-GLAZE 15K JA 1/16W
C802	Y-403 208 6001	ELECT 2200U M 6.3V	R1245	Y-401 105 5905	MT-GLAZE 560 JA 1/16W
C803	Y-403 041 2109	ELECT 47U M 10V	R1246	Y-401 105 5905	MT-GLAZE 560 JA 1/16W
C804	Y-403 149 9208	CERAMIC 0.01U Z 50V	R1247	Y-401 105 0702	MT-GLAZE 100K JA 1/16W
C805	Y-403 145 9905	CERAMIC 22P J 50V	R1248	Y-401 105 0702	MT-GLAZE 100K JA 1/16W
C806	Y-403 157 2505	CERAMIC 27P J 50V	R1251	Y-401 105 0405	MT-GLAZE 100 JA 1/16W
C807	Y-403 149 9208	CERAMIC 0.01U Z 50V	R1252	Y-401 105 0405	MT-GLAZE 100 JA 1/16W
C811	Y-403 041 2109	ELECT 47U M 10V	R1253	Y-401 105 1600	MT-GLAZE 15K JA 1/16W
C812	Y-403 041 2109	ELECT 47U M 10V	R1254	Y-401 105 1600	MT-GLAZE 15K JA 1/16W
C813	Y-403 149 9208	CERAMIC 0.01U Z 50V			

Ref. No.	Part No.	Description	Ref. No.	Part No.	Description
R1255	Y-401 105 5806	MT-GLAZE 56 JA 1/16W	R217	Y-401 105 0603	MT-GLAZE 10K JA 1/16W
R1256	Y-401 105 5806	MT-GLAZE 56 JA 1/16W	R218	Y-401 105 0405	MT-GLAZE 100 JA 1/16W
R1261	Y-401 105 5301	MT-GLAZE 4.7K JA 1/16W	R219	Y-401 105 0603	MT-GLAZE 10K JA 1/16W
R1262	Y-401 105 2805	MT-GLAZE 2.2K JA 1/16W	R221	Y-401 105 0405	MT-GLAZE 100 JA 1/16W
R1263	Y-401 105 0702	MT-GLAZE 100K JA 1/16W	R222	Y-401 105 3208	MT-GLAZE 270 JA 1/16W
R1264	Y-401 105 1006	MT-GLAZE 1.2K JA 1/16W	R223	Y-401 105 0405	MT-GLAZE 100 JA 1/16W
R1265	Y-401 105 1006	MT-GLAZE 1.2K JA 1/16W	R225	Y-401 105 5905	MT-GLAZE 560 JA 1/16W
R1266	Y-401 105 0405	MT-GLAZE 100 JA 1/16W	R236	Y-401 113 5102	MT-GLAZE 300 JA 1/16W
R1267	Y-401 105 1501	MT-GLAZE 1.5K JA 1/16W	R237	Y-401 105 3208	MT-GLAZE 270 JA 1/16W
R1268	Y-401 105 5806	MT-GLAZE 56 JA 1/16W	R238	Y-401 105 5806	MT-GLAZE 56 JA 1/16W
R1271	Y-401 105 0405	MT-GLAZE 100 JA 1/16W	R3451	Y-401 105 0405	MT-GLAZE 100 JA 1/16W
R1272	Y-401 105 5905	MT-GLAZE 560 JA 1/16W	R3452	Y-401 105 0603	MT-GLAZE 10K JA 1/16W
R1273	Y-401 105 5905	MT-GLAZE 560 JA 1/16W	R3463	Y-401 105 3208	MT-GLAZE 270 JA 1/16W
R1274	Y-401 105 0405	MT-GLAZE 100 JA 1/16W	R3481	Y-401 105 0405	MT-GLAZE 100 JA 1/16W
R1275	Y-401 105 5905	MT-GLAZE 560 JA 1/16W	R3482	Y-401 105 0405	MT-GLAZE 100 JA 1/16W
R1276	Y-401 105 5905	MT-GLAZE 560 JA 1/16W	R3483	Y-401 105 0603	MT-GLAZE 10K JA 1/16W
R1277	Y-401 105 6001	MT-GLAZE 5.6K JA 1/16W	R801	Y-401 105 4205	MT-GLAZE 33K JA 1/16W
R1278	Y-401 105 6001	MT-GLAZE 5.6K JA 1/16W	R802	Y-401 105 4205	MT-GLAZE 33K JA 1/16W
R1281	Y-401 105 5202	MT-GLAZE 470 JA 1/16W	R803	Y-401 105 7909	MT-GLAZE 0.000 ZA 1/16W
R1282	Y-401 105 5202	MT-GLAZE 470 JA 1/16W	R804	Y-401 105 0603	MT-GLAZE 10K JA 1/16W
R1283	Y-401 105 1600	MT-GLAZE 15K JA 1/16W	R805	Y-401 105 4601	MT-GLAZE 3.9K JA 1/16W
R1284	Y-401 105 1600	MT-GLAZE 15K JA 1/16W	R806	Y-401 105 4601	MT-GLAZE 3.9K JA 1/16W
R1285	Y-401 105 5905	MT-GLAZE 560 JA 1/16W	R807	Y-401 105 0405	MT-GLAZE 100 JA 1/16W
R1286	Y-401 105 5905	MT-GLAZE 560 JA 1/16W	R808	Y-401 105 0405	MT-GLAZE 100 JA 1/16W
R1287	Y-401 105 0702	MT-GLAZE 100K JA 1/16W	R809	Y-401 105 0405	MT-GLAZE 100 JA 1/16W
R1288	Y-401 105 0702	MT-GLAZE 100K JA 1/16W	R810	Y-401 105 0405	MT-GLAZE 100 JA 1/16W
R1291	Y-401 105 0405	MT-GLAZE 100 JA 1/16W	R811	Y-401 105 0405	MT-GLAZE 100 JA 1/16W
R1292	Y-401 105 1006	MT-GLAZE 1.2K JA 1/16W	R812	Y-401 105 0603	MT-GLAZE 10K JA 1/16W
R1293	Y-401 105 1006	MT-GLAZE 1.2K JA 1/16W	R813	Y-401 105 0603	MT-GLAZE 10K JA 1/16W
R131	Y-401 105 5103	MT-GLAZE 47 JA 1/16W	R814	Y-401 105 0405	MT-GLAZE 100 JA 1/16W
R133	Y-401 105 0504	MT-GLAZE 1K JA 1/16W	R815	Y-401 105 0405	MT-GLAZE 100 JA 1/16W
R134	Y-401 105 6001	MT-GLAZE 5.6K JA 1/16W	R816	Y-401 105 0603	MT-GLAZE 10K JA 1/16W
R136	Y-401 105 2706	MT-GLAZE 220 JA 1/16W	R817	Y-401 105 0603	MT-GLAZE 10K JA 1/16W
R137	Y-401 105 3109	MT-GLAZE 27 JA 1/16W	R818	Y-401 105 0603	MT-GLAZE 10K JA 1/16W
R140	Y-401 105 7909	MT-GLAZE 0.000 ZA 1/16W	R819	Y-401 105 2904	MT-GLAZE 22K JA 1/16W
R144	Y-401 105 5806	MT-GLAZE 56 JA 1/16W	R820	Y-401 105 0603	MT-GLAZE 10K JA 1/16W
R145	Y-401 105 1006	MT-GLAZE 1.2K JA 1/16W	R821	Y-401 105 0603	MT-GLAZE 10K JA 1/16W
R147	Y-401 105 5905	MT-GLAZE 560 JA 1/16W	R823	Y-401 105 0603	MT-GLAZE 10K JA 1/16W
R148	Y-401 105 1907	MT-GLAZE 180 JA 1/16W	R824	Y-401 105 5202	MT-GLAZE 470 JA 1/16W
R149	Y-401 105 0504	MT-GLAZE 1K JA 1/16W	R825	Y-401 105 0405	MT-GLAZE 100 JA 1/16W
R150TM	Y-401 026 8108	CARBON 4.7 JA 1/6W	R826	Y-401 105 0603	MT-GLAZE 10K JA 1/16W
R151	Y-401 105 2706	MT-GLAZE 220 JA 1/16W	R827	Y-401 105 0603	MT-GLAZE 10K JA 1/16W
R152	Y-401 105 0504	MT-GLAZE 1K JA 1/16W	R828	Y-401 105 0603	MT-GLAZE 10K JA 1/16W
R153	Y-401 105 0504	MT-GLAZE 1K JA 1/16W	R829	Y-401 105 0603	MT-GLAZE 10K JA 1/16W
R154	Y-401 105 0504	MT-GLAZE 1K JA 1/16W	R831	Y-401 105 6605	MT-GLAZE 6.8K JA 1/16W
R156	Y-401 105 0504	MT-GLAZE 1K JA 1/16W	R832	Y-401 105 6001	MT-GLAZE 5.6K JA 1/16W
R157	Y-401 105 5202	MT-GLAZE 470 JA 1/16W	R833	Y-401 105 6001	MT-GLAZE 5.6K JA 1/16W
R158	Y-401 105 7404	MT-GLAZE 8.2K JA 1/16W	R834	Y-401 105 6001	MT-GLAZE 5.6K JA 1/16W
R159	Y-401 105 0504	MT-GLAZE 1K JA 1/16W	R835	Y-401 105 6001	MT-GLAZE 5.6K JA 1/16W
R160	Y-401 105 5301	MT-GLAZE 4.7K JA 1/16W	R836	Y-401 105 0504	MT-GLAZE 1K JA 1/16W
R161	Y-401 105 4502	MT-GLAZE 390 JA 1/16W	R837	Y-401 105 3208	MT-GLAZE 270 JA 1/16W
R163	Y-401 105 0504	MT-GLAZE 1K JA 1/16W	R838	Y-401 105 5905	MT-GLAZE 560 JA 1/16W
R172	Y-401 105 5202	MT-GLAZE 470 JA 1/16W	R839	Y-401 105 5905	MT-GLAZE 560 JA 1/16W
R173	Y-401 105 5202	MT-GLAZE 470 JA 1/16W	R840	Y-401 105 5905	MT-GLAZE 560 JA 1/16W
R181	Y-401 105 0603	MT-GLAZE 10K JA 1/16W	R841	Y-401 105 0504	MT-GLAZE 1K JA 1/16W
R183	Y-401 105 0504	MT-GLAZE 1K JA 1/16W	R842	Y-401 105 0504	MT-GLAZE 1K JA 1/16W
R201	Y-401 105 0702	MT-GLAZE 100K JA 1/16W	R843	Y-401 105 4502	MT-GLAZE 390 JA 1/16W
R202	Y-401 105 1600	MT-GLAZE 15K JA 1/16W	R844	Y-401 105 0603	MT-GLAZE 10K JA 1/16W
R203	Y-401 105 0405	MT-GLAZE 100 JA 1/16W	R845	Y-401 105 0504	MT-GLAZE 1K JA 1/16W
R204	Y-401 105 1006	MT-GLAZE 1.2K JA 1/16W	R846	Y-401 105 1006	MT-GLAZE 1.2K JA 1/16W
R206	Y-401 105 5806	MT-GLAZE 56 JA 1/16W	R847	Y-401 105 4502	MT-GLAZE 390 JA 1/16W
R207	Y-401 105 0405	MT-GLAZE 100 JA 1/16W	R848	Y-401 105 0603	MT-GLAZE 10K JA 1/16W
R208	Y-401 105 1006	MT-GLAZE 1.2K JA 1/16W	R853	Y-401 105 0603	MT-GLAZE 10K JA 1/16W
R209	Y-401 105 5806	MT-GLAZE 56 JA 1/16W	R854	Y-401 105 0405	MT-GLAZE 100 JA 1/16W
R211	Y-401 105 0405	MT-GLAZE 100 JA 1/16W	R855	Y-401 105 0603	MT-GLAZE 10K JA 1/16W
R212	Y-401 105 1006	MT-GLAZE 1.2K JA 1/16W	R856	Y-401 105 4700	MT-GLAZE 39K JA 1/16W
R213	Y-401 105 5806	MT-GLAZE 56 JA 1/16W	R857	Y-401 105 4700	MT-GLAZE 39K JA 1/16W
R214	Y-401 105 2706	MT-GLAZE 220 JA 1/16W	R858	Y-401 105 5400	MT-GLAZE 47K JA 1/16W
R215	Y-401 105 2706	MT-GLAZE 220 JA 1/16W	R859	Y-401 105 2904	MT-GLAZE 22K JA 1/16W
R216	Y-401 105 0405	MT-GLAZE 100 JA 1/16W	R861	Y-401 105 4700	MT-GLAZE 39K JA 1/16W

Ref. No.	Part No.	Description	Ref. No.	Part No.	Description
R862	Y-401 105 4700	MT-GLAZE 39K JA 1/16W	D871	Y-407 187 8209	ZENER DIODE UDZ12B-TE-17
R891	Y-401 105 7909	MT-GLAZE 0.000 ZA 1/16W	MISCELLANEOUS		
VARIABLE RESISTOR			A101	Y-645 040 4528	TUNER,U/V
VR221	Y-645 002 3521	VR,SEMI,470 S	X131A	Y-421 007 8606	SAW F TSB5387P
TRANSFORMER			X132	Y-421 002 2609	SAW F TSF5315
T132	Y-645 032 8626	TRANS,OSC,77.8MHZ	X133	Y-610 015 2854	TRAP,CERAMIC 5.5MHZ
COIL			X201	Y-645 033 2388	OSC,CRYSTAL 4.433619MHZ
L101A	Y-401 037 5004	MT-GLAZE 0.000 ZA 1/10W	X204	Y-610 240 5408	CRYSTAL OSCILLATOR
L102A	Y-401 037 5004	MT-GLAZE 0.000 ZA 1/10W	X3451	Y-645 024 7484	OSC,CRYSTAL 24.576MHZ
L1201	Y-645 001 4567	INDUCTOR,10U K	X801	Y-645 041 3841	OSC,CRYSTAL 4MHZ
L1211	Y-645 008 2863	INDUCTOR,4.7U K	Y-610 289 6275 ASSY,PWB,SCART F7SJ		
L1212	Y-645 008 2863	INDUCTOR,4.7U K	TRANSISTOR		
L1213	Y-645 008 2863	INDUCTOR,4.7U K	Q1001	Y-405 014 4509	TR 2SC2412K T146 R
L1235	Y-645 008 2863	INDUCTOR,4.7U K	Q1002	Y-405 014 4509	TR 2SC2412K T146 R
L1291	Y-645 001 4567	INDUCTOR,10U K	Q1003	Y-405 014 4509	TR 2SC2412K T146 R
L131	Y-645 003 9706	INDUCTOR,15U J	Q1004	Y-405 014 4509	TR 2SC2412K T146 R
L132	Y-645 003 9775	INDUCTOR,22U J	CAPACITOR		
L133	Y-645 003 9812	INDUCTOR,33U K	C1000	Y-403 163 8409	ELECT 47U M 16V
L134	Y-645 003 9782	INDUCTOR,22U K	C1003	Y-403 113 3805	CERAMIC 1000P K 50V
L211	Y-645 003 9812	INDUCTOR,33U K	C1004	Y-403 113 3805	CERAMIC 1000P K 50V
L231	Y-645 003 9782	INDUCTOR,22U K	C1005	Y-403 113 3805	CERAMIC 1000P K 50V
L3450	Y-645 008 2863	INDUCTOR,4.7U K	C1006	Y-403 113 3805	CERAMIC 1000P K 50V
L3451	Y-645 011 0252	INDUCTOR,2.2U K	C1010	Y-403 149 9208	CERAMIC 0.01U Z 50V
L3452	Y-645 018 9999	INDUCTOR,120 OHM	C1013	Y-403 157 3601	CERAMIC 100P J 50V
L3453	Y-645 018 9999	INDUCTOR,120 OHM	C1014	Y-403 157 3601	CERAMIC 100P J 50V
L3454	Y-645 018 9999	INDUCTOR,120 OHM	C1015	Y-403 157 3601	CERAMIC 100P J 50V
L3481	Y-645 011 0252	INDUCTOR,2.2U K	C1016	Y-403 157 3601	CERAMIC 100P J 50V
L3482	Y-645 011 0252	INDUCTOR,2.2U K	C1017	Y-403 191 8709	ELECT 1U M 50V
L801	Y-645 003 9812	INDUCTOR,33U K	C1018	Y-403 191 8709	ELECT 1U M 50V
L811	Y-645 003 9812	INDUCTOR,33U K	C1023	Y-403 113 3805	CERAMIC 1000P K 50V
L841	Y-645 003 9812	INDUCTOR,33U K	C1024	Y-403 113 3805	CERAMIC 1000P K 50V
L871	Y-645 003 9812	INDUCTOR,33U K	C1025	Y-403 113 3805	CERAMIC 1000P K 50V
DIODE			C1026	Y-403 113 3805	CERAMIC 1000P K 50V
D100	Y-407 149 0807	DIODE 1SS355-TE-17	C1030	Y-403 149 9208	CERAMIC 0.01U Z 50V
D1200	Y-407 149 0807	DIODE 1SS355-TE-17	C1033	Y-403 157 3601	CERAMIC 100P J 50V
D1211	Y-407 187 8209	ZENER DIODE UDZ12B-TE-17	C1034	Y-403 157 3601	CERAMIC 100P J 50V
D1212	Y-407 187 8209	ZENER DIODE UDZ12B-TE-17	C1035	Y-403 157 3601	CERAMIC 100P J 50V
D1213	Y-407 187 8209	ZENER DIODE UDZ12B-TE-17	C1036	Y-403 157 3601	CERAMIC 100P J 50V
D1231	Y-407 187 8209	ZENER DIODE UDZ12B-TE-17	C1037	Y-403 191 8709	ELECT 1U M 50V
D1232	Y-407 187 8209	ZENER DIODE UDZ12B-TE-17	C1038	Y-403 191 8709	ELECT 1U M 50V
D1233	Y-407 187 8209	ZENER DIODE UDZ12B-TE-17	RESISTOR		
D1234	Y-407 187 8209	ZENER DIODE UDZ12B-TE-17	R1001	Y-401 105 5905	MT-GLAZE 560 JA 1/16W
D1235	Y-407 187 8209	ZENER DIODE UDZ12B-TE-17	R1002	Y-401 105 5905	MT-GLAZE 560 JA 1/16W
D1241	Y-407 187 8209	ZENER DIODE UDZ12B-TE-17	R1003	Y-401 105 0504	MT-GLAZE 1K JA 1/16W
D1242	Y-407 187 8209	ZENER DIODE UDZ12B-TE-17	R1004	Y-401 105 0504	MT-GLAZE 1K JA 1/16W
D1261	Y-407 187 8209	ZENER DIODE UDZ12B-TE-17	R1005	Y-401 105 0504	MT-GLAZE 1K JA 1/16W
D1281	Y-407 187 8209	ZENER DIODE UDZ12B-TE-17	R1006	Y-401 105 0504	MT-GLAZE 1K JA 1/16W
D1282	Y-407 187 8209	ZENER DIODE UDZ12B-TE-17	R1007	Y-401 105 0702	MT-GLAZE 100K JA 1/16W
D1291	Y-407 187 8209	ZENER DIODE UDZ12B-TE-17	R1008	Y-401 105 0702	MT-GLAZE 100K JA 1/16W
D131	Y-401 105 7909	MT-GLAZE 0.000 ZA 1/16W	R1009	Y-401 105 1709	MT-GLAZE 150K JA 1/16W
D194	Y-407 187 8209	ZENER DIODE UDZ12B-TE-17	R1010	Y-401 105 1709	MT-GLAZE 150K JA 1/16W
D201	Y-407 187 8209	ZENER DIODE UDZ12B-TE-17	R1011	Y-401 105 1006	MT-GLAZE 1.2K JA 1/16W
D211	Y-407 187 8209	ZENER DIODE UDZ12B-TE-17	R1012	Y-401 105 1006	MT-GLAZE 1.2K JA 1/16W
D212	Y-407 149 0807	DIODE 1SS355-TE-17	R1013	Y-401 113 4402	MT-GLAZE 75 JA 1/16W
D213	Y-407 187 8209	ZENER DIODE UDZ12B-TE-17	R1014	Y-401 105 0405	MT-GLAZE 100 JA 1/16W
D3450	Y-407 149 0807	DIODE 1SS355-TE-17	R1015	Y-401 113 4402	MT-GLAZE 75 JA 1/16W
D801	Y-407 187 8209	ZENER DIODE UDZ12B-TE-17	R1016	Y-401 105 0405	MT-GLAZE 100 JA 1/16W
D802	Y-407 187 8209	ZENER DIODE UDZ12B-TE-17	R1017	Y-401 113 4402	MT-GLAZE 75 JA 1/16W
D803	Y-407 149 0807	DIODE 1SS355-TE-17	R1018	Y-401 105 0405	MT-GLAZE 100 JA 1/16W
D804	Y-407 149 0807	DIODE 1SS355-TE-17	R1019	Y-401 113 4402	MT-GLAZE 75 JA 1/16W
D811	Y-407 187 8209	ZENER DIODE UDZ12B-TE-17	R1020	Y-401 105 0405	MT-GLAZE 100 JA 1/16W
D812	Y-407 187 8209	ZENER DIODE UDZ12B-TE-17	R1021	Y-401 025 1308	CARBON 150 JA 1/6W
D831	Y-407 149 0807	DIODE 1SS355-TE-17	R1021A	Y-401 025 1308	CARBON 150 JA 1/6W
D832	Y-407 149 0807	DIODE 1SS355-TE-17	R1022	Y-401 113 4402	MT-GLAZE 75 JA 1/16W
D841	Y-407 187 8209	ZENER DIODE UDZ12B-TE-17			
D855	Y-407 149 0807	DIODE 1SS355-TE-17			
D856	Y-407 149 0807	DIODE 1SS355-TE-17			
D857	Y-407 179 0501	ZENER DIODE UDZ6.2B-TE-17			

Ref. No.	Part No.	Description	Ref. No.	Part No.	Description
R1023	Y-401 105 5905	MT-GLAZE 560 JA 1/16W	Q7325	Y-405 014 4509	TR 2SC2412K T146 R
R1024	Y-401 105 5905	MT-GLAZE 560 JA 1/16W	Q7351	Y-405 014 4509	TR 2SC2412K T146 R
R1025	Y-401 105 0504	MT-GLAZE 1K JA 1/16W	Q7352	Y-405 014 4509	TR 2SC2412K T146 R
R1026	Y-401 105 0504	MT-GLAZE 1K JA 1/16W	Q7353	Y-405 134 5905	TR 2SA1037AK-T146-R
R1027	Y-401 105 0504	MT-GLAZE 1K JA 1/16W	Q7354	Y-405 134 5905	TR 2SA1037AK-T146-R
R1028	Y-401 105 0504	MT-GLAZE 1K JA 1/16W	Q7361	Y-405 014 4509	TR 2SC2412K T146 R
R1029	Y-401 105 0702	MT-GLAZE 100K JA 1/16W	Q7362	Y-405 014 4509	TR 2SC2412K T146 R
R1030	Y-401 105 0702	MT-GLAZE 100K JA 1/16W	Q7363	Y-405 134 5905	TR 2SA1037AK-T146-R
R1031	Y-401 105 1709	MT-GLAZE 150K JA 1/16W	Q7364	Y-405 134 5905	TR 2SA1037AK-T146-R
R1032	Y-401 105 1709	MT-GLAZE 150K JA 1/16W	Q7371	Y-405 014 4509	TR 2SC2412K T146 R
R1033	Y-401 105 1006	MT-GLAZE 1.2K JA 1/16W	Q7372	Y-405 014 4509	TR 2SC2412K T146 R
R1034	Y-401 105 1006	MT-GLAZE 1.2K JA 1/16W	Q7373	Y-405 134 5905	TR 2SA1037AK-T146-R
R1035	Y-401 113 4402	MT-GLAZE 75 JA 1/16W	Q7374	Y-405 134 5905	TR 2SA1037AK-T146-R
R1036	Y-401 025 1308	CARBON 150 JA 1/6W			
R1036A	Y-401 025 1308	CARBON 150 JA 1/6W			
R1037	Y-401 113 4402	MT-GLAZE 75 JA 1/16W			
R1201	Y-401 105 0405	MT-GLAZE 100 JA 1/16W			
R1202	Y-401 105 0405	MT-GLAZE 100 JA 1/16W			
COIL			INTEGRATED CIRCUIT		
L1000	Y-645 001 4567	INDUCTOR,10U K	IC7201	Y-409 477 4908	IC TC90A36F
L1001	Y-645 001 4567	INDUCTOR,10U K	IC7202	Y-410 365 2005	IC MSM518221A-25GS-K
L1002	Y-645 001 4567	INDUCTOR,10U K	IC7203	Y-410 365 2005	IC MSM518221A-25GS-K
L1003	Y-645 001 4567	INDUCTOR,10U K	IC7204	Y-409 364 8200	IC TLC2932IPW-E
L1004	Y-645 001 4567	INDUCTOR,10U K	IC7205	Y-409 364 8200	IC TLC2932IPW-E
L1005A	Y-610 237 1000	PIPE CORE	IC7211	Y-409 309 0207	IC TC7S66F-TE85L
L1011	Y-645 001 4567	INDUCTOR,10U K	IC7221	Y-409 309 0207	IC TC7S66F-TE85L
L1012	Y-645 001 4567	INDUCTOR,10U K	IC7341	Y-409 223 1809	IC MC74HC04AF
L1013	Y-645 001 4567	INDUCTOR,10U K	IC7381	Y-409 437 4702	IC L88M05TL-TL
L1014	Y-645 001 4567	INDUCTOR,10U K			
L1015A	Y-610 237 1000	PIPE CORE	CAPACITOR		
DIODE			C7200	Y-403 159 8109	ELECT 100U M 6.3V
D1001	Y-407 187 8209	ZENER DIODE UDZ12B-TE-17	C7201	Y-403 163 7907	ELECT 47U M 6.3V
D1002	Y-407 187 8209	ZENER DIODE UDZ12B-TE-17	C7202	Y-403 164 0204	CERAMIC 0.1U Z 25V
D1003	Y-407 187 8209	ZENER DIODE UDZ12B-TE-17	C7204	Y-403 164 0204	CERAMIC 0.1U Z 25V
D1004	Y-407 187 8209	ZENER DIODE UDZ12B-TE-17	C7205	Y-403 159 8109	ELECT 100U M 6.3V
D1005	Y-407 187 8209	ZENER DIODE UDZ12B-TE-17	C7206	Y-403 164 0204	CERAMIC 0.1U Z 25V
D1006	Y-407 187 8209	ZENER DIODE UDZ12B-TE-17	C7207	Y-403 164 0204	CERAMIC 0.1U Z 25V
D1007	Y-407 187 8209	ZENER DIODE UDZ12B-TE-17	C7208	Y-403 163 7907	ELECT 47U M 6.3V
D1011	Y-407 187 8209	ZENER DIODE UDZ12B-TE-17	C7209	Y-403 164 0204	CERAMIC 0.1U Z 25V
D1012	Y-407 187 8209	ZENER DIODE UDZ12B-TE-17	C7211	Y-403 164 0204	CERAMIC 0.1U Z 25V
D1013	Y-407 187 8209	ZENER DIODE UDZ12B-TE-17	C7212	Y-403 189 2405	ELECT 10U M 16V
D1014	Y-407 187 8209	ZENER DIODE UDZ12B-TE-17	C7213	Y-403 164 0204	CERAMIC 0.1U Z 25V
D1201	Y-407 187 8209	ZENER DIODE UDZ12B-TE-17	C7214	Y-403 189 2405	ELECT 10U M 16V
D1202	Y-407 187 8209	ZENER DIODE UDZ12B-TE-17	C7215	Y-403 189 2405	ELECT 10U M 16V
MISCELLANEOUS			C7216	Y-403 164 0204	CERAMIC 0.1U Z 25V
K1001	Y-645 025 1047	SOCKET,RGB 21P	C7221	Y-403 164 0204	CERAMIC 0.1U Z 25V
K1002	Y-645 025 1047	SOCKET,RGB 21P	C7222	Y-403 189 2405	ELECT 10U M 16V
Y-610 289 6282 ASSY,PWB,SCAN CONV F7SJV			C7223	Y-403 164 0204	CERAMIC 0.1U Z 25V
TRANSISTOR			C7224	Y-403 189 2405	ELECT 10U M 16V
Q7211	Y-405 134 5905	TR 2SA1037AK-T146-R	C7225	Y-403 162 1807	ELECT 22U M 10V
Q7221	Y-405 134 5905	TR 2SA1037AK-T146-R	C7226	Y-403 164 0204	CERAMIC 0.1U Z 25V
Q7301	Y-405 014 4509	TR 2SC2412K T146 R	C7231	Y-403 164 0204	CERAMIC 0.1U Z 25V
Q7302	Y-405 014 4509	TR 2SC2412K T146 R	C7232	Y-403 159 8109	ELECT 100U M 6.3V
Q7303	Y-405 134 5905	TR 2SA1037AK-T146-R	C7233	Y-403 164 0204	CERAMIC 0.1U Z 25V
Q7304	Y-405 134 5905	TR 2SA1037AK-T146-R	C7241	Y-403 164 0204	CERAMIC 0.1U Z 25V
Q7311	Y-405 014 4509	TR 2SC2412K T146 R	C7242	Y-403 159 8109	ELECT 100U M 6.3V
Q7312	Y-405 014 4509	TR 2SC2412K T146 R	C7243	Y-403 164 0204	CERAMIC 0.1U Z 25V
Q7313	Y-405 134 5905	TR 2SA1037AK-T146-R	C7301	Y-403 163 8409	ELECT 47U M 16V
Q7314	Y-405 134 5905	TR 2SA1037AK-T146-R	C7302	Y-403 164 0204	CERAMIC 0.1U Z 25V
Q7315	Y-405 014 4509	TR 2SC2412K T146 R	C7303	Y-403 150 6500	ELECT 22U M 16V
Q7321	Y-405 014 4509	TR 2SC2412K T146 R	C7304	Y-403 155 1609	CERAMIC 33P J 50V
Q7322	Y-405 014 4509	TR 2SC2412K T146 R	C7305	Y-403 155 1609	CERAMIC 33P J 50V
Q7323	Y-405 134 5905	TR 2SA1037AK-T146-R	C7306	Y-403 157 3304	CERAMIC 68P J 50V
Q7324	Y-405 134 5905	TR 2SA1037AK-T146-R	C7308	Y-403 193 8608	ELECT 0.47U M 50V
			C7309	Y-403 150 6500	ELECT 22U M 16V
			C7310	Y-403 157 2901	CERAMIC 47P J 50V
			C7311	Y-403 157 3601	CERAMIC 100P J 50V
			C7312	Y-403 172 6106	CERAMIC 270P J 50V
			C7314	Y-403 193 8608	ELECT 0.47U M 50V
			C7315	Y-403 150 6500	ELECT 22U M 16V
			C7316	Y-403 157 2901	CERAMIC 47P J 50V
			C7317	Y-403 157 3601	CERAMIC 100P J 50V
			C7318	Y-403 172 6106	CERAMIC 270P J 50V
			C7320	Y-403 193 8608	ELECT 0.47U M 50V
			C7322	Y-403 164 0204	CERAMIC 0.1U Z 25V

Ref. No.	Part No.	Description	Ref. No.	Part No.	Description
C7323	Y-403 164 0204	CERAMIC 0.1U Z 25V	R7331	Y-401 105 4700	MT-GLAZE 39K JA 1/16W
C7324	Y-403 164 0204	CERAMIC 0.1U Z 25V	R7332	Y-401 105 4700	MT-GLAZE 39K JA 1/16W
C7325	Y-403 164 0204	CERAMIC 0.1U Z 25V	R7333	Y-401 105 5806	MT-GLAZE 56 JA 1/16W
C7326	Y-403 164 0204	CERAMIC 0.1U Z 25V	R7334	Y-401 105 5905	MT-GLAZE 560 JA 1/16W
C7327	Y-403 164 0204	CERAMIC 0.1U Z 25V	R7335	Y-401 105 4007	MT-GLAZE 330 JA 1/16W
C7328	Y-403 164 0204	CERAMIC 0.1U Z 25V	R7338	Y-401 105 5202	MT-GLAZE 470 JA 1/16W
C7329	Y-403 164 0204	CERAMIC 0.1U Z 25V	R7339	Y-401 105 5202	MT-GLAZE 470 JA 1/16W
C7331	Y-403 164 0204	CERAMIC 0.1U Z 25V	R7340	Y-401 105 3208	MT-GLAZE 270 JA 1/16W
C7333	Y-403 164 0204	CERAMIC 0.1U Z 25V	R7341	Y-401 105 5806	MT-GLAZE 56 JA 1/16W
C7334	Y-403 164 0204	CERAMIC 0.1U Z 25V	R7342	Y-401 105 5806	MT-GLAZE 56 JA 1/16W
C7336	Y-403 164 0204	CERAMIC 0.1U Z 25V	R7343	Y-401 105 0504	MT-GLAZE 1K JA 1/16W
C7337	Y-403 164 0204	CERAMIC 0.1U Z 25V	R7344	Y-401 105 5202	MT-GLAZE 470 JA 1/16W
C7338	Y-403 163 7907	ELECT 47U M 6.3V	R7345	Y-401 105 5103	MT-GLAZE 47 JA 1/16W
C7339	Y-403 164 0204	CERAMIC 0.1U Z 25V	R7346	Y-401 105 4601	MT-GLAZE 3.9K JA 1/16W
C7341	Y-403 164 0204	CERAMIC 0.1U Z 25V	R7347	Y-401 105 1600	MT-GLAZE 15K JA 1/16W
C7350	Y-403 163 8409	ELECT 47U M 16V	R7348	Y-401 105 4601	MT-GLAZE 3.9K JA 1/16W
C7351	Y-403 166 9205	CERAMIC 10P J 50V	R7349	Y-401 105 1600	MT-GLAZE 15K JA 1/16W
C7352	Y-403 153 9300	CERAMIC 82P J 50V	R7351	Y-401 105 5806	MT-GLAZE 56 JA 1/16W
C7353	Y-403 157 2901	CERAMIC 47P J 50V	R7352	Y-401 105 5905	MT-GLAZE 560 JA 1/16W
C7360	Y-403 164 0204	CERAMIC 0.1U Z 25V	R7353	Y-401 105 1402	MT-GLAZE 150 JA 1/16W
C7362	Y-403 155 1500	CERAMIC 180P J 50V	R7354	Y-401 105 0504	MT-GLAZE 1K JA 1/16W
C7363	Y-403 155 1500	CERAMIC 180P J 50V	R7355	Y-401 105 5202	MT-GLAZE 470 JA 1/16W
C7372	Y-403 155 1500	CERAMIC 180P J 50V	R7356	Y-401 105 5202	MT-GLAZE 470 JA 1/16W
C7373	Y-403 155 1500	CERAMIC 180P J 50V	R7358	Y-401 105 5806	MT-GLAZE 56 JA 1/16W
C7381	Y-403 193 7700	ELECT 100U M 10V	R7359	Y-401 105 5806	MT-GLAZE 56 JA 1/16W
C7382	Y-403 159 8109	ELECT 100U M 6.3V	R7360	Y-401 105 0504	MT-GLAZE 1K JA 1/16W
C7383	Y-403 159 8109	ELECT 100U M 6.3V	R7361	Y-401 105 5806	MT-GLAZE 56 JA 1/16W
RESISTOR			R7362	Y-401 105 5905	MT-GLAZE 560 JA 1/16W
R7201	Y-401 105 5301	MT-GLAZE 4.7K JA 1/16W	R7363	Y-401 105 0900	MT-GLAZE 120 JA 1/16W
R7202	Y-401 105 0504	MT-GLAZE 1K JA 1/16W	R7364	Y-401 105 6506	MT-GLAZE 680 JA 1/16W
R7203	Y-401 105 6506	MT-GLAZE 680 JA 1/16W	R7365	Y-401 105 5202	MT-GLAZE 470 JA 1/16W
R7204	Y-401 105 4106	MT-GLAZE 3.3K JA 1/16W	R7366	Y-401 105 5202	MT-GLAZE 470 JA 1/16W
R7205	Y-401 105 1402	MT-GLAZE 150 JA 1/16W	R7367	Y-401 105 4502	MT-GLAZE 390 JA 1/16W
R7206	Y-401 105 4007	MT-GLAZE 330 JA 1/16W	R7368	Y-401 105 5806	MT-GLAZE 56 JA 1/16W
R7207	Y-401 105 4106	MT-GLAZE 3.3K JA 1/16W	R7369	Y-401 105 5806	MT-GLAZE 56 JA 1/16W
R7211	Y-401 105 5202	MT-GLAZE 470 JA 1/16W	R7370	Y-401 105 0504	MT-GLAZE 1K JA 1/16W
R7212	Y-401 105 4007	MT-GLAZE 330 JA 1/16W	R7371	Y-401 105 5806	MT-GLAZE 56 JA 1/16W
R7213	Y-401 105 2607	MT-GLAZE 22 JA 1/16W	R7372	Y-401 105 5905	MT-GLAZE 560 JA 1/16W
R7214	Y-401 105 0603	MT-GLAZE 10K JA 1/16W	R7373	Y-401 105 0900	MT-GLAZE 120 JA 1/16W
R7221	Y-401 105 5202	MT-GLAZE 470 JA 1/16W	R7374	Y-401 105 6506	MT-GLAZE 680 JA 1/16W
R7222	Y-401 105 4007	MT-GLAZE 330 JA 1/16W	R7375	Y-401 105 5202	MT-GLAZE 470 JA 1/16W
R7223	Y-401 105 2607	MT-GLAZE 22 JA 1/16W	R7376	Y-401 105 5202	MT-GLAZE 470 JA 1/16W
R7224	Y-401 105 0603	MT-GLAZE 10K JA 1/16W	R7377	Y-401 105 2706	MT-GLAZE 220 JA 1/16W
R7301	Y-401 105 4700	MT-GLAZE 39K JA 1/16W	R7378	Y-401 105 5806	MT-GLAZE 56 JA 1/16W
R7302	Y-401 105 4700	MT-GLAZE 39K JA 1/16W	R7379	Y-401 105 5806	MT-GLAZE 56 JA 1/16W
R7303	Y-401 105 5806	MT-GLAZE 56 JA 1/16W	R7380	Y-401 105 0504	MT-GLAZE 1K JA 1/16W
R7304	Y-401 105 5905	MT-GLAZE 560 JA 1/16W	R7394	Y-401 105 0405	MT-GLAZE 100 JA 1/16W
R7305	Y-401 105 3208	MT-GLAZE 270 JA 1/16W	R7395	Y-401 105 0405	MT-GLAZE 100 JA 1/16W
R7306	Y-401 105 0504	MT-GLAZE 1K JA 1/16W	VARIABLE RESISTOR		
R7308	Y-401 105 5202	MT-GLAZE 470 JA 1/16W	VR7351	Y-645 002 3460	VR, SEMI, 1K S
R7309	Y-401 105 5202	MT-GLAZE 470 JA 1/16W	COIL		
R7311	Y-401 105 3208	MT-GLAZE 270 JA 1/16W	L7201	Y-610 237 1000	PIPE CORE
R7312	Y-401 105 5806	MT-GLAZE 56 JA 1/16W	L7202	Y-610 012 3991	JUNPER LEAD
R7313	Y-401 105 5806	MT-GLAZE 56 JA 1/16W	L7203	Y-610 012 3991	JUNPER LEAD
R7314	Y-401 105 5905	MT-GLAZE 560 JA 1/16W	L7204	Y-401 105 7909	MT-GLAZE 0.000 ZA 1/16W
R7315	Y-401 105 5103	MT-GLAZE 47 JA 1/16W	L7206	Y-401 105 7909	MT-GLAZE 0.000 ZA 1/16W
R7316	Y-401 105 4700	MT-GLAZE 39K JA 1/16W	L7211	Y-645 001 4567	INDUCTOR, 10U K
R7317	Y-401 105 4700	MT-GLAZE 39K JA 1/16W	L7212	Y-645 001 4567	INDUCTOR, 10U K
R7318	Y-401 105 5806	MT-GLAZE 56 JA 1/16W	L7221	Y-645 001 4567	INDUCTOR, 10U K
R7319	Y-401 105 5905	MT-GLAZE 560 JA 1/16W	L7222	Y-645 001 4567	INDUCTOR, 10U K
R7320	Y-401 105 4007	MT-GLAZE 330 JA 1/16W	L7301	Y-645 001 4567	INDUCTOR, 10U K
R7323	Y-401 105 5202	MT-GLAZE 470 JA 1/16W	L7302	Y-401 105 7909	MT-GLAZE 0.000 ZA 1/16W
R7324	Y-401 105 5202	MT-GLAZE 470 JA 1/16W	L7303	Y-401 105 7909	MT-GLAZE 0.000 ZA 1/16W
R7325	Y-401 105 0405	MT-GLAZE 100 JA 1/16W	L7304	Y-401 105 7909	MT-GLAZE 0.000 ZA 1/16W
R7326	Y-401 105 5806	MT-GLAZE 56 JA 1/16W	L7305	Y-401 105 7909	MT-GLAZE 0.000 ZA 1/16W
R7327	Y-401 105 5806	MT-GLAZE 56 JA 1/16W	L7306	Y-401 105 7909	MT-GLAZE 0.000 ZA 1/16W
R7328	Y-401 105 0504	MT-GLAZE 1K JA 1/16W	L7307	Y-401 105 7909	MT-GLAZE 0.000 ZA 1/16W
R7329	Y-401 105 5202	MT-GLAZE 470 JA 1/16W	L7308	Y-401 105 7909	MT-GLAZE 0.000 ZA 1/16W
R7330	Y-401 105 5103	MT-GLAZE 47 JA 1/16W	L7309	Y-645 003 9850	INDUCTOR, 6.8U K

Ref. No.	Part No.	Description	Ref. No.	Part No.	Description
L7310	Y-645 008 2825	INDUCTOR, 27U K	C266	Y-403 041 2109	ELECT 47U M 10V
L7311	Y-645 008 2825	INDUCTOR, 27U K	C267	Y-403 241 3807	ELECT 220U M 10V
L7350	Y-645 001 4567	INDUCTOR, 10U K	C267A	Y-403 241 3807	ELECT 220U M 10V
L7351	Y-645 003 9799	INDUCTOR, 3.3U K	C268	Y-403 157 2901	CERAMIC 47P J 50V
L7361	Y-645 008 2863	INDUCTOR, 4.7U K	C269	Y-403 215 1006	CERAMIC 470P J 50V
L7362	Y-645 016 0349	INDUCTOR, 600 OHM	C270	Y-403 113 3805	CERAMIC 1000P K 50V
L7363	Y-401 105 7909	MT-GLAZE 0.000 ZA 1/16W	C271	Y-403 049 0008	ELECT 1U M 50V
L7364	Y-401 105 7909	MT-GLAZE 0.000 ZA 1/16W	C351	Y-403 041 2109	ELECT 47U M 10V
L7365	Y-401 105 7909	MT-GLAZE 0.000 ZA 1/16W	C352	Y-403 149 9208	CERAMIC 0.01U Z 50V
L7366	Y-401 105 7909	MT-GLAZE 0.000 ZA 1/16W	C353	Y-403 149 9208	CERAMIC 0.01U Z 50V
L7367	Y-645 016 0349	INDUCTOR, 600 OHM	C354	Y-403 200 0700	MT-POLYEST 0.1U J 50V
L7368	Y-645 016 0349	INDUCTOR, 600 OHM	C355	Y-403 200 0700	MT-POLYEST 0.1U J 50V
L7371	Y-645 008 2863	INDUCTOR, 4.7U K	C356	Y-403 200 0700	MT-POLYEST 0.1U J 50V
L7381	Y-610 237 1000	PIPE CORE	C358	Y-403 075 6906	CERAMIC 100P K 500V
DIODE			C359	Y-403 149 9208	CERAMIC 0.01U Z 50V
D7381	Y-407 149 0807	DIODE 1SS355-TE-17	C361	Y-403 149 9208	CERAMIC 0.01U Z 50V
MISCELLANEOUS			C363	Y-403 298 9609	CERAMIC 0.1U K 16V
XL7301	Y-645 025 0620	FILTER,EMI 85PF	C365	Y-403 155 1500	CERAMIC 180P J 50V
XL7302	Y-645 025 0620	FILTER,EMI 85PF	RESISTOR		
XL7303	Y-645 025 0620	FILTER,EMI 85PF	R235	Y-401 105 4205	MT-GLAZE 33K JA 1/16W
XL7304	Y-645 000 2250	FILTER,EMI 100PF	R241	Y-401 105 0405	MT-GLAZE 100 JA 1/16W
XL7305	Y-645 000 2250	FILTER,EMI 100PF	R242	Y-401 105 0405	MT-GLAZE 100 JA 1/16W
XL7306	Y-645 000 2250	FILTER,EMI 100PF	R243	Y-401 105 0405	MT-GLAZE 100 JA 1/16W
XL7307	Y-645 000 2250	FILTER,EMI 100PF	R244	Y-401 105 2706	MT-GLAZE 220 JA 1/16W
XL7308	Y-645 026 8908	FILTER,EMI 22000P	R245	Y-401 105 2706	MT-GLAZE 220 JA 1/16W
XL7309	Y-645 025 0620	FILTER,EMI 85PF	R246	Y-401 105 3901	MT-GLAZE 33 JA 1/16W
XL7310	Y-645 025 0620	FILTER,EMI 85PF	R247	Y-401 105 3901	MT-GLAZE 33 JA 1/16W
XL7311	Y-645 025 0620	FILTER,EMI 85PF	R248	Y-401 105 3901	MT-GLAZE 33 JA 1/16W
Y-610 289 6299 ASSY,PWB,HOP F7SJV			R250	Y-401 105 6506	MT-GLAZE 680 JA 1/16W
TRANSISTOR			R252	Y-401 105 2003	MT-GLAZE 1.8K JA 1/16W
Q261	Y-405 134 5905	TR 2SA1037AK-T146-R	R253	Y-401 105 2003	MT-GLAZE 1.8K JA 1/16W
Q271	Y-405 014 4509	TR 2SC2412K T146 R	R254	Y-401 105 2003	MT-GLAZE 1.8K JA 1/16W
Q272	Y-405 014 4509	TR 2SC2412K T146 R	R255	Y-401 105 0405	MT-GLAZE 100 JA 1/16W
Q273	Y-405 014 4509	TR 2SC2412K T146 R	R256	Y-401 105 0405	MT-GLAZE 100 JA 1/16W
Q351	Y-405 014 4509	TR 2SC2412K T146 R	R257	Y-401 105 0405	MT-GLAZE 100 JA 1/16W
Q361	Y-405 014 4509	TR 2SC2412K T146 R	R258	Y-401 105 6506	MT-GLAZE 680 JA 1/16W
Q381	Y-405 134 5905	TR 2SA1037AK-T146-R	R259	Y-401 105 4502	MT-GLAZE 390 JA 1/16W
INTEGRATED CIRCUIT			R260	Y-401 105 0504	MT-GLAZE 1K JA 1/16W
IC241	Y-409 436 3706	IC TDA9178T/N1	R261	Y-401 105 0603	MT-GLAZE 10K JA 1/16W
IC351	Y-410 395 3201	IC TDA9330H/N2C	R262	Y-401 105 0405	MT-GLAZE 100 JA 1/16W
CAPACITOR			R263	Y-401 105 0405	MT-GLAZE 100 JA 1/16W
C241	Y-403 149 9208	CERAMIC 0.01U Z 50V	R264	Y-401 105 0405	MT-GLAZE 100 JA 1/16W
C242	Y-403 041 2109	ELECT 47U M 10V	R265	Y-401 105 0603	MT-GLAZE 10K JA 1/16W
C243	Y-403 298 9609	CERAMIC 0.1U K 16V	R266	Y-401 105 2904	MT-GLAZE 22K JA 1/16W
C244	Y-403 048 6308	ELECT 0.47U M 50V	R267	Y-401 105 2706	MT-GLAZE 220 JA 1/16W
C245	Y-403 048 6308	ELECT 0.47U M 50V	R270	Y-401 105 5806	MT-GLAZE 56 JA 1/16W
C246	Y-403 048 6308	ELECT 0.47U M 50V	R271	Y-401 105 5202	MT-GLAZE 470 JA 1/16W
C251	Y-403 048 6308	ELECT 0.47U M 50V	R272	Y-401 105 5806	MT-GLAZE 56 JA 1/16W
C252	Y-403 048 6308	ELECT 0.47U M 50V	R273	Y-401 105 5202	MT-GLAZE 470 JA 1/16W
C253	Y-403 048 6308	ELECT 0.47U M 50V	R274	Y-401 105 5806	MT-GLAZE 56 JA 1/16W
C254	Y-403 298 9609	CERAMIC 0.1U K 16V	R275	Y-401 105 5202	MT-GLAZE 470 JA 1/16W
C255	Y-403 298 9609	CERAMIC 0.1U K 16V	R351	Y-401 105 0405	MT-GLAZE 100 JA 1/16W
C256	Y-403 298 9609	CERAMIC 0.1U K 16V	R352	Y-401 105 0405	MT-GLAZE 100 JA 1/16W
C257	Y-403 041 2109	ELECT 47U M 10V	R353	Y-401 105 4205	MT-GLAZE 33K JA 1/16W
C258	Y-403 149 9208	CERAMIC 0.01U Z 50V	R354	Y-401 105 4205	MT-GLAZE 33K JA 1/16W
C259	Y-403 241 3807	ELECT 220U M 10V	R355	Y-401 105 4700	MT-GLAZE 39K JA 1/16W
C259A	Y-403 241 3807	ELECT 220U M 10V	R356	Y-401 105 2706	MT-GLAZE 220 JA 1/16W
C260	Y-403 241 3807	ELECT 220U M 10V	R357	Y-401 105 2706	MT-GLAZE 220 JA 1/16W
C260A	Y-403 241 3807	ELECT 220U M 10V	R358	Y-401 105 2003	MT-GLAZE 1.8K JA 1/16W
C261	Y-403 008 5105	CERAMIC 10P D 50V	R359	Y-401 105 0603	MT-GLAZE 10K JA 1/16W
C262	Y-403 298 9609	CERAMIC 0.1U K 16V	R360	Y-401 105 2805	MT-GLAZE 2.2K JA 1/16W
C263	Y-403 298 9609	CERAMIC 0.1U K 16V	R361	Y-401 105 0405	MT-GLAZE 100 JA 1/16W
C264	Y-403 298 9609	CERAMIC 0.1U K 16V	R362	Y-401 105 6605	MT-GLAZE 6.8K JA 1/16W
C265	Y-403 149 9208	CERAMIC 0.01U Z 50V	R363	Y-401 105 0405	MT-GLAZE 100 JA 1/16W
			R364	Y-401 105 6605	MT-GLAZE 6.8K JA 1/16W
			R366	Y-401 105 1204	MT-GLAZE 120K JA 1/16W
			R367	Y-401 105 0702	MT-GLAZE 100K JA 1/16W
			R368	Y-401 105 2805	MT-GLAZE 2.2K JA 1/16W
			R369	Y-401 105 5103	MT-GLAZE 47 JA 1/16W

Ref. No.	Part No.	Description	Ref. No.	Part No.	Description
R371	Y-401 105 0603	MT-GLAZE 10K JA 1/16W	R702	Y-401 027 2303	CARBON 560 JA 1/6W
R372	Y-401 105 7503	MT-GLAZE 82K JA 1/16W	R704	Y-401 026 4506	CARBON 33K GA 1/6W
R373	Y-401 105 0603	MT-GLAZE 10K JA 1/16W	R705	Y-401 026 4506	CARBON 33K GA 1/6W
R375	Y-401 105 0504	MT-GLAZE 1K JA 1/16W	R706	Y-401 027 8503	CARBON 8.2K GA 1/6W
R379	Y-401 105 4205	MT-GLAZE 33K JA 1/16W	R707	Y-401 025 1803	CARBON 15K GA 1/6W
R380	Y-401 105 2706	MT-GLAZE 220 JA 1/16W	R708	Y-401 026 6906	CARBON 3.9K GA 1/6W
R381	Y-401 105 2805	MT-GLAZE 2.2K JA 1/16W	R709	Y-401 025 7409	CARBON 220 JA 1/6W
R382	Y-401 105 5301	MT-GLAZE 4.7K JA 1/16W	R710	Y-401 025 7805	CARBON 2.2K JA 1/6W
R383	Y-401 105 6001	MT-GLAZE 5.6K JA 1/16W	R711	Y-401 024 6700	CARBON 100 JA 1/6W
COIL			R712	Y-401 012 5708	CARBON 1K JA 1/4W
L241	Y-645 003 9812	INDUCTOR,33U K	R713	Y-401 027 5205	CARBON 680 JA 1/6W
L251	Y-645 003 9812	INDUCTOR,33U K	R714	Y-401 025 1605	CARBON 1.5K JA 1/6W
L351	Y-610 237 1000	PIPE CORE	R716	Y-401 014 4105	CARBON 1.5K JA 1/4W
L361	Y-645 006 2490	INDUCTOR,1U K	R717	Y-401 012 5708	CARBON 1K JA 1/4W
DIODE			R718	Y-401 025 7409	CARBON 220 JA 1/6W
D251	Y-407 187 8209	ZENER DIODE UDZ12B-TE-17	R719	Y-401 063 2909	OXIDE-MT 68K JA 1W
D253	Y-407 149 0807	DIODE 1SS355-TE-17	R720	Y-401 024 7004	CARBON 1K JA 1/6W
D254	Y-407 149 0807	DIODE 1SS355-TE-17	R721	Y-401 024 6700	CARBON 100 JA 1/6W
D255	Y-407 149 0807	DIODE 1SS355-TE-17	R722	Y-401 012 5708	CARBON 1K JA 1/4W
D256	Y-407 149 0807	DIODE 1SS355-TE-17	R723	Y-401 027 5205	CARBON 680 JA 1/6W
D257	Y-407 149 0807	DIODE 1SS355-TE-17	R724	Y-401 025 1605	CARBON 1.5K JA 1/6W
D258	Y-401 037 5004	MT-GLAZE 0.000 ZA 1/10W	R726	Y-401 014 4105	CARBON 1.5K JA 1/4W
D259	Y-407 187 8209	ZENER DIODE UDZ12B-TE-17	R727	Y-401 012 5708	CARBON 1K JA 1/4W
D260	Y-407 187 8209	ZENER DIODE UDZ12B-TE-17	R728	Y-401 025 7409	CARBON 220 JA 1/6W
D261	Y-407 187 8209	ZENER DIODE UDZ12B-TE-17	R729	Y-401 063 2909	OXIDE-MT 68K JA 1W
D351	Y-407 187 8209	ZENER DIODE UDZ12B-TE-17	R730	Y-401 027 5205	CARBON 680 JA 1/6W
D352	Y-407 187 7806	ZENER DIODE UDZ6.8B-TE-17	R731	Y-401 024 6700	CARBON 100 JA 1/6W
D361	Y-407 149 0807	DIODE 1SS355-TE-17	R732	Y-401 012 5708	CARBON 1K JA 1/4W
D363	Y-407 149 0807	DIODE 1SS355-TE-17	R733	Y-401 027 5205	CARBON 680 JA 1/6W
MISCELLANEOUS			R734	Y-401 025 1605	CARBON 1.5K JA 1/6W
X351	Y-645 000 5299	OSC,CERAMIC 12.0MHZ	R736	Y-401 014 4105	CARBON 1.5K JA 1/4W
Y-610 285 4633 ASSY,PWB,SOCKET C2WFV			R737	Y-401 012 5708	CARBON 1K JA 1/4W
TRANSISTOR			R738	Y-401 025 7409	CARBON 220 JA 1/6W
Q701	Y-405 011 8401	TR 2SC1740S-Q	R739	Y-401 063 2909	OXIDE-MT 68K JA 1W
Q711	Y-406 000 6804	TR 2SA1015-GR(SAN)	R741	Y-401 011 5501	CARBON 820 JA 1/2W
Q721	Y-406 000 6804	TR 2SA1015-GR(SAN)	R742	Y-401 011 5501	CARBON 820 JA 1/2W
Q731	Y-406 000 6804	TR 2SA1015-GR(SAN)	R743	Y-401 011 5501	CARBON 820 JA 1/2W
INTEGRATED CIRCUIT			△ R750	Y-402 002 4305	FUSIBLE RES 33 J- 1W
IC711	Y-409 369 6300	IC TDA6101Q/N3	R751	Y-401 057 5206	OXIDE-MT 0.47 JA 1W
IC721	Y-409 369 6300	IC TDA6101Q/N3	R756	Y-401 010 4802	CARBON 470K JA 1/2W
IC731	Y-409 369 6300	IC TDA6101Q/N3	R757	Y-401 009 7401	CARBON 330K JA 1/2W
CAPACITOR			DIODE		
C701	Y-403 043 9106	ELECT 47U M 16V	D705	Y-407 099 6904	ZENER DIODE MTZJ15A
C703	Y-403 049 0008	ELECT 1U M 50V	D710	Y-408 008 2406	DIODE 1N4148
C706	Y-403 041 8804	ELECT 10U M 16V	D720	Y-408 008 2406	DIODE 1N4148
C707	Y-403 023 9607	CERAMIC 39P J 50V	D723TM	Y-407 099 6904	ZENER DIODE MTZJ15A
C711	Y-403 026 0700	CERAMIC 47P J 50V	D724TM	Y-408 008 2406	DIODE 1N4148
C713	Y-403 072 2604	CERAMIC 0.022U Z 50V	D730	Y-408 008 2406	DIODE 1N4148
C714	Y-403 075 7101	CERAMIC 1000P K 500V	D751	Y-407 099 5303	ZENER DIODE MTZJ5.6B
C715	Y-403 161 9200	MT-POLYEST 0.22U K 250V	D752	Y-407 099 5303	ZENER DIODE MTZJ5.6B
C721	Y-403 026 0700	CERAMIC 47P J 50V	MISCELLANEOUS		
C723	Y-403 072 2604	CERAMIC 0.022U Z 50V	△ K701	Y-645 026 2005	SOCKET,CRT 8P
C724	Y-403 075 7101	CERAMIC 1000P K 500V	Y-610 287 5270 ASSY,PWB,HARMONICS C2WFV		
C725	Y-403 161 9200	MT-POLYEST 0.22U K 250V	COIL		
C731	Y-403 026 0700	CERAMIC 47P J 50V	L1600	Y-645 042 2829	INDUCTOR,52.5M
C733	Y-403 072 2604	CERAMIC 0.022U Z 50V			
C734	Y-403 075 7101	CERAMIC 1000P K 500V			
C735	Y-403 161 9200	MT-POLYEST 0.22U K 250V			
C750	Y-403 260 0306	ELECT 2.2U M 250V			
C751	Y-403 077 2708	CERAMIC 1000P P 2K			
C752	Y-403 077 2708	CERAMIC 1000P P 2K			
C755	Y-403 069 0507	CERAMIC 1000P K 50V			
RESISTOR					

Ref. No.	Part No.	Description	Ref. No.	Part No.	Description